



*Experience the knowledge*



**ASD**



## WHO IS ASD

ASD is the European leader in hydro-massage baths and a recognized innovator in the domain of «Wellness».

ASD, which designs 100% of its products, offers all the necessary components for building a hydro-massage bath: pumps, blowers, jets, electronic controls, connectors, chromotherapy, aromatherapy, etc. These elements are shipped in kits or separately, according to clients' choices.

Founded in 1993, ASD has become an essential supplier on the international hydro-massage market through its expertise and the extent of its range of products.

ASD also benefits from the experience of its parent company SIREM, a major manufacturer of pumps and complex motorization solutions.

## DESIGN AND QUALIFICATION

Our R&D engineers work with up-to-date computer-assisted design and simulation tools, and particularly:

- 3D CAD: Solidworks
- Materials resistance : Cosmos

Product qualification is a fundamental stage, implemented by an autonomous Department and independent from design. The Qualification Department has a laboratory for functional and destruction-limit tests. It certifies the products and systems to the required standards (NF, TÜV, UL, etc.).

## MANUFACTURING AND LOGISTIC SYSTEM

With its 3,000 sqm covered site in St Maurice de Beynost (near Lyon - FRANCE) , ASD has put in place an efficient and extremely flexible industrial and logistics organization :

- Structured around Enterprise Resource Planning software,
- Closely associating a small number of approved suppliers,
- Complying with ISO 9000 quality-assurance principles,
- Allowing the customization of each order (kits or individual packaging, pre-assembled sub-assemblies, etc.),
- Testing 100% of products before dispatching, and shipping them in the very short delay of 7 working days (on average).

We deliver our products throughout 40 countries. The pumps are produced by SIREM, located near ASD's site, and are shipped daily according to tightly-scheduled flows.

## CONSULTING AND TECHNICAL ASSISTANCE

ASD has developed internationally-recognized technical expertise. Consequently ASD plays the role of technical consultant for its clients, according to several themes :

- Help in defining their range of baths,
- Proposals for customizing unique models,
- Improvement of methods for assembly and use of equipment.

Communication with clients enables the permanent development of ASD's range of products. ASD is constantly innovating to win over a general-public clientele that is ever more demanding in matters of «Wellness» solutions. This contributes to our long-term clients relation.

## INNOVATION

The concept of innovation is deeply rooted in the company's culture. ASD has many patents and carries out its research around several themes:

- Improvement of massage effects (ex: multiple-effect mixed jets)
- Provision of new functionalities to the hydro-massage bath (ex: massage cushions, new-generation chromotherapy, aromatherapy, etc.)
- Systematic development of new electronic controls, providing great variety of massage programs and improving their ergonomoy (ex: tactile screens, sensitive interfaces, remote-controls, frequency-variation pumps, etc.)
- Simplification of assembly and reduction of associated time (ex: monoblock wall fitting o-ring in technically innovative polymer, Compac® jets, quick connectors, pre-assembly kits, etc.)
- Cost reduction through function mutualiation (ex: monobloc drainage suction, electronics integrated into the pumps, etc.)
- Simplification of maintenance (ex: removable chromotherapy projectors, etc.)
- The intention underlying this innovation process: to allow ASD's clients to compose their own projects with incomparable freedom.

# INDEX

<p style="writing-mode: vertical-rl; transform: rotate(180deg);"><b>WATER JETS</b></p>	<p>COMPAC JET page 6</p> <p>RAPID JET page 8</p> <p>BIG JET page 10</p> <p>MICRO JET page 12</p> <p>ACCESSORIES for clamp system page 14</p> <p>ACCESSORIES for glued system page 15</p> <p>AIR JET page 16</p> <p>ACCESSORIES page 17</p>	<p style="writing-mode: vertical-rl; transform: rotate(180deg);"><b>PAGE 6 TO 17</b></p>
<p style="writing-mode: vertical-rl; transform: rotate(180deg);"><b>PUMPS &amp; BLOWERS</b></p>	<p>PUMP RANGE page 19</p> <p>ATL2 page 20</p> <p>PB N page 22</p> <p>PB L page 24</p> <p>PB K page 26</p> <p>PVF page 28</p> <p>XP2E page 30</p> <p>BLOWERS page 32</p>	<p style="writing-mode: vertical-rl; transform: rotate(180deg);"><b>PAGE 19 TO 33</b></p>
<p style="writing-mode: vertical-rl; transform: rotate(180deg);"><b>WHIRLPOOL ACCESSORIES</b></p>	<p>SUCTION page 40</p> <p>AROMATHERAPY page 41</p> <p>AIR CONTROLS page 42</p> <p>PNEUMATIC CONTROLLERS page 43</p> <p>DISINFECTION page 44</p> <p>PILLOWS &amp; HANDLES page 45</p>	<p style="writing-mode: vertical-rl; transform: rotate(180deg);"><b>PAGE 40 TO 45</b></p>
<p style="writing-mode: vertical-rl; transform: rotate(180deg);"><b>CONTACT US</b></p>	<p>NOTES - CONTACTS page 46</p>	<p style="writing-mode: vertical-rl; transform: rotate(180deg);"><b>PAGE 46</b></p>

# THE WATER JETS





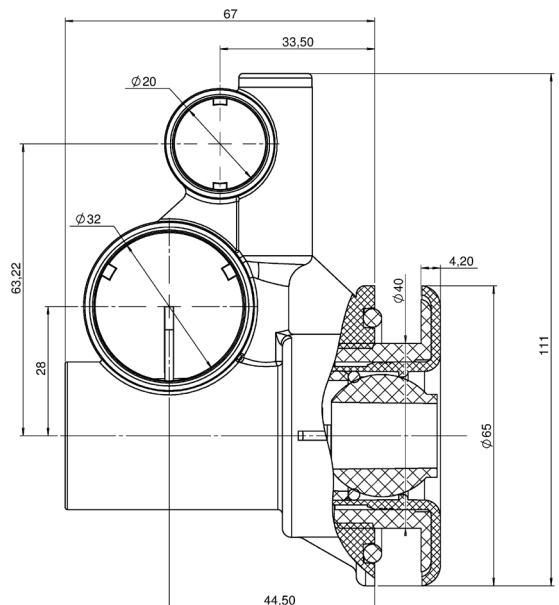
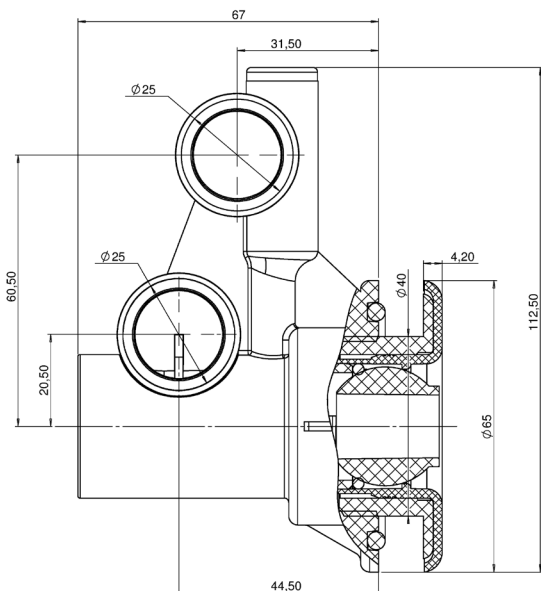
# Rapid Jets

Invigorating massage  
 Quick connection or  $\varnothing 32/20$  standard  
 Adjustable or rotary

## Exploded view of Rapid Jet



## Dimensions of Rapid Jet


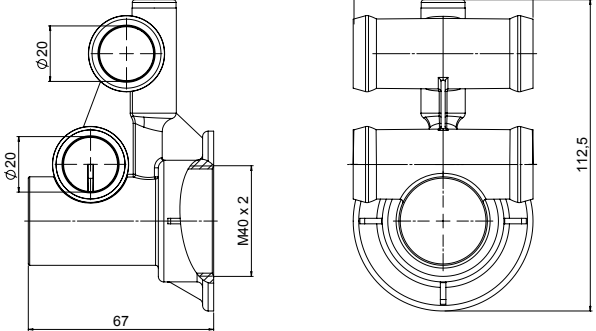








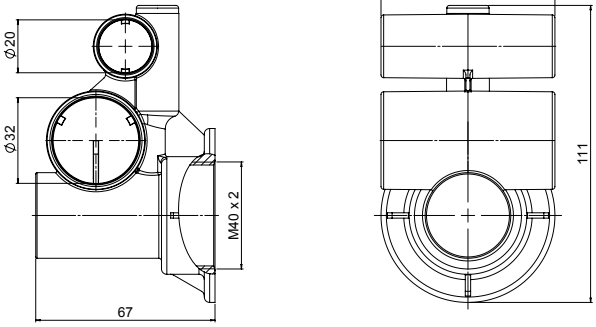









# Rapid jets

body, o'ring, wall fitting

- Diameter of drilling 40mm and 41mm with wall fitting o'ring
- Baths thickness from 1 to 12 mm
- PVC made of

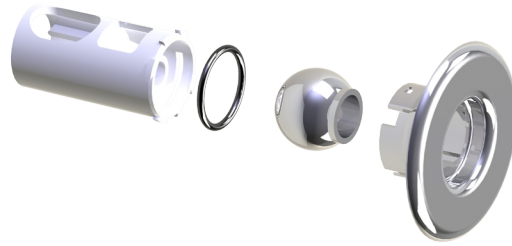
Body	Drawing	Type of body
		 Body water open air right close 3472250021-D
		 Body water open air left close 3472550021-G
		 Body water right close air right close 3472550001-D
		 Body water right close air open 3472550011-D
		 Body water left close air open 3472550011-G
		 Body water left close air left close 3472550001-G
		 Body water open air open 3472550001
		 Body water right close air right close 3472320001-D
		 Body water left close air left close 3472320001-G
		 Body water open air open 3472320001



























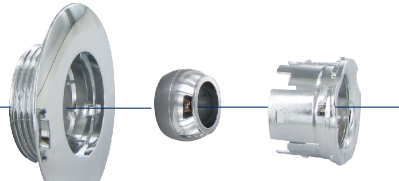
Ref	Standard O'Ring	Wall Fitting O'Ring
O'RING	 2917440008 47x4 NBR 70 shores	 2917400001 Silicone useless

Ref	Standard Wall Fitting
WALL FITTING	 3612000001 18 mm threaded Bath thickness from 2 to 12 mm with standard o'ring and 1 to 10 mm with wall fitting o'ring

# Rapid jets

## finishing



	Eye-ball Flower	Eye-ball Premium	Eye-ball Standard	Eye-ball Ovo	Eye-ball Rotative
Finishing Concaves	 5211221003-MON	 5211321003-MON	 5211121003-MON	 5211241203-MON	 3711013023-MON
Finishing Flower Ø65 or Ø80	 Ø65 - 5211231003-MONT Ø80 - 5211242103-MON	 5211331003-MON	 Ø65 - 5211311003-MON Ø80 - 5211242113-MON	 Ø65 - 5211241303-MON Ø80 - 5211242123-MON	 3711012013-MON
Finishing Premium	 5211421003-MON	 5211431003-MON	 5211411003-MON	/	 5211441003-MON
Finishing Premium Flat	 5211551003-MON	 5211531003-MON	 5211511003-MON	/	 5211541003-MON
Finishing Standard Ø65 or Ø80	 Ø65 - 5211211003-MON Ø80 - 5211242013-MON	 5211631003-MON	 Ø65 - 5211111003-MON Ø80 - 5211242003-MON	 Ø65 - 5211241403-MON Ø80 - 5211242023-MON	 3711012003-MON
Finishing Lagoon	 5211241123-MON	/	 5211241113-MON	 5211241103-MON	/
Extra Flat Finishing	 5211241003-MON				
	<p><b>Extra flat finishing. The wall fitting is also used for the finishing</b> 15 mm threaded Bath thickness from 3 to 8 mm with standard o'ring and 1 to 6 mm with wall fitting o'ring</p>				





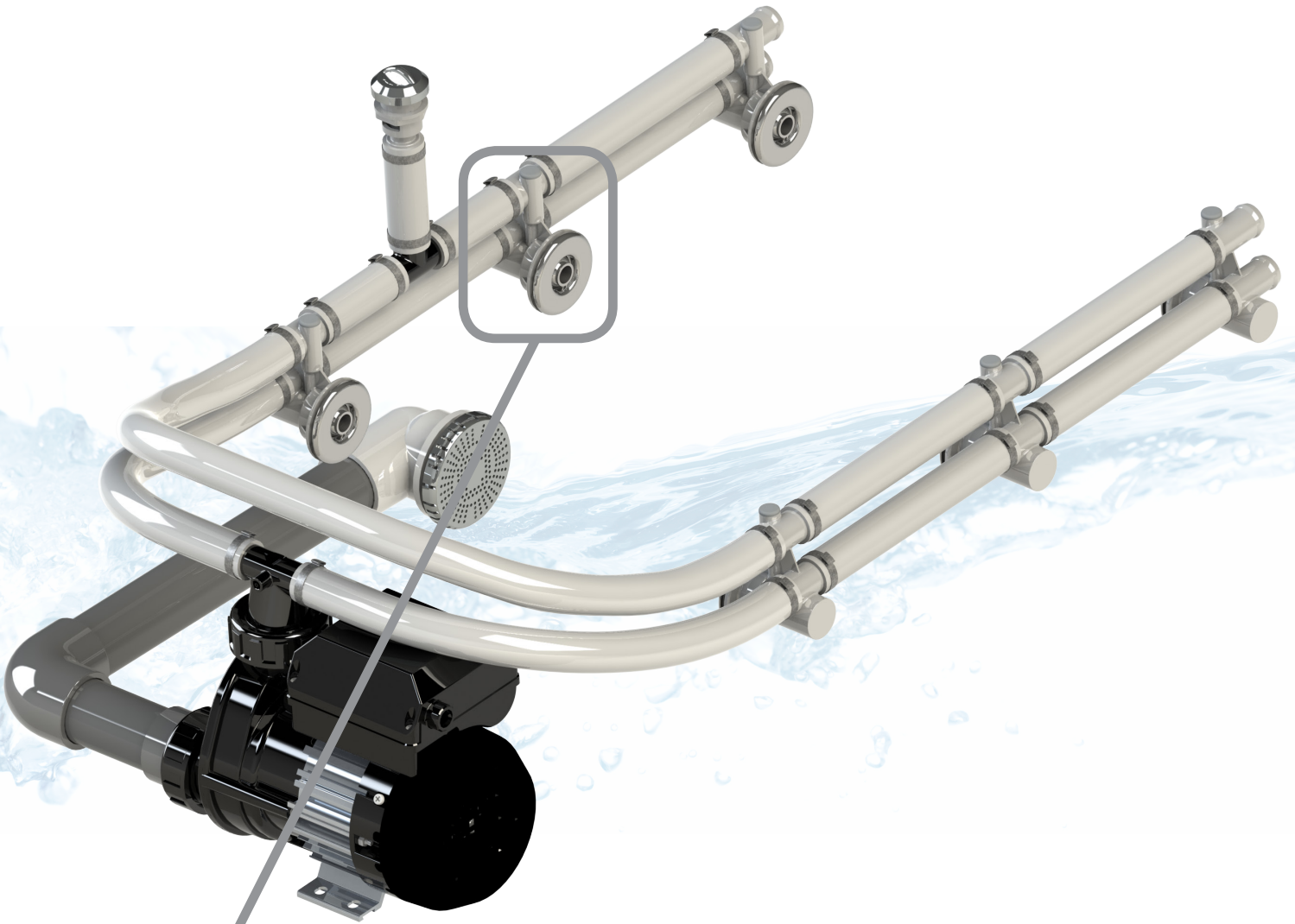
# Rapid jets

## Accessories

	Types	Ref.	Illustrations
<b>TOOL</b>	Tool for Standard wall fitting	3072000008	
	Tool for Platinum wall fitting	3012000068	
	Tool to remove the finishing (except the platinum)	3012000101	

# Rapid jets - kit 6 jets

(example)



1/ BODY



2/ O-RING



3/ WALL FITTING



4/ FINISHING

# Rapid jets - kit 6 jets

(example)

Type	Description	Reference	Quantity
Jets finishing	 Face standard Eye-ball standard	5211111003-MON	6
Body open	 Air left and right open Water left and right open	3472550001	4
Body left close	 Air left close Water left close	3472550001-G	1
Body right close	 Air right close Water right close	3472550001-D	1
Wall Fitting	 Standard wall fitting 18 mm threaded	3612000001	6
O'ring	 Wall fitting O'ring silicone useless	2917400001	6
Air control	 Standard silent air control (+ / -) (ABS)	1312001003-1	1
Grooved fitting	 Tee 25-25-25	1177250007	1
Water pipe	 White pipe 25 x 31	0812220012	6.5 m
Water pipe	 White pipe Ø50	0812220012	1 m
Clamp	 Standard metal clamp for pipe Ø25	1227250028	26
Suction	 Suction with standard faces Ø86	0911511003	1



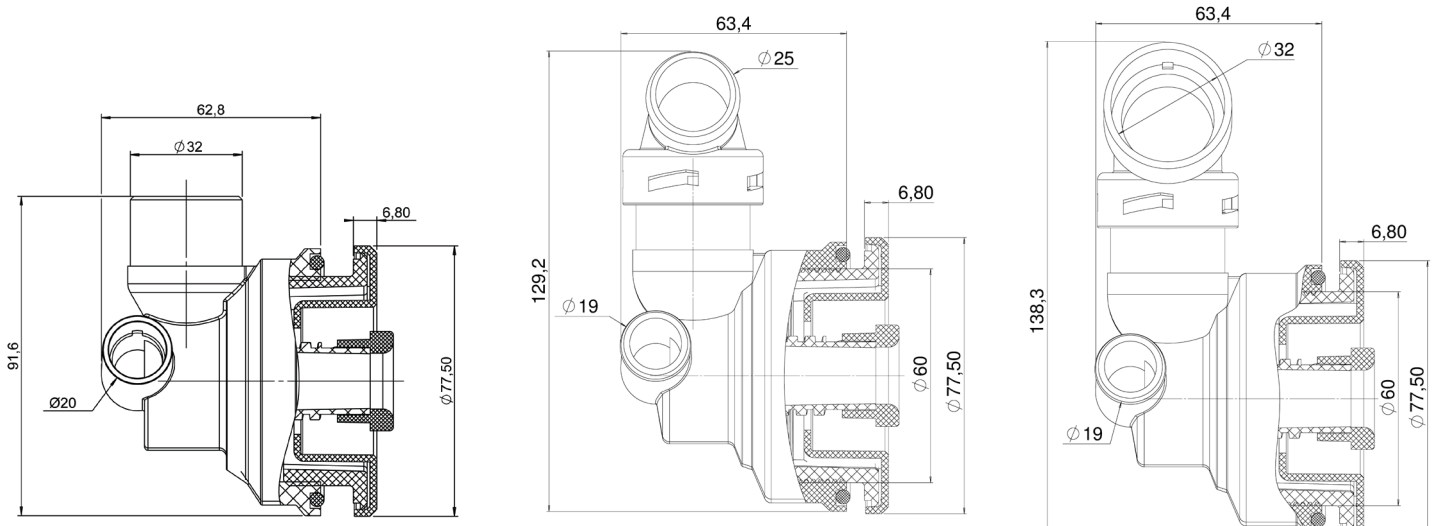
# Big Jets

Tonic and Invigorating massage  
 High flow  
 Adjustable and directional  
 Without retention

## Exploded view of Big Jet



## Dimensions of Big Jet


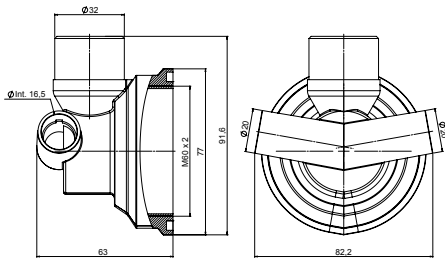




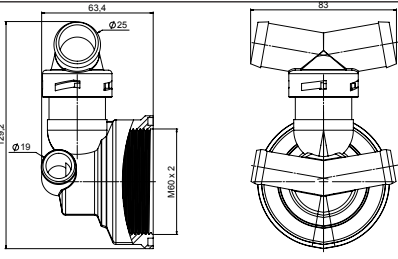












# Big jets

body, o'ring, wall fitting

- Diameter of drilling 60mm with wall fitting o'ring
- Baths thickness from 1 to 13 mm
- PVC made of

Ref	Bodies	Drawings	Type of body	
BODY	<b>Standard</b>  3412581001		 Body standard open water and air	3412581001
			 Body standard open water and air left closed	3412581001-G
			 Body standard open water and air right closed	3412581001-D
	<b>«V» shape Ø25</b>  3412583011*		 Body V shape Tee Ø25 open Body V shape Tee Ø25 air left closed Body V shape Tee Ø25 air right closed	3412583011 3412583011-GO 3412583011-DO
			 Body V shape L right Ø25 open Body V shape L right Ø25 air left closed	2412583011-OG 3412583011-G
			 Body V shape L left Ø25 open Body V shape L left Ø25 air right closed	3412583011-OD 3412583011-D
			 Body V shape Tee Ø32 open Body V shape Tee Ø32 air left closed Body V shape Tee Ø32 air right closed	3412582011 3412582011-GO 3412582011-DO
			 Body V shape L right Ø32 open Body V shape L right Ø32 air left closed	3412582011-OG 3412582011-G
			 Body V shape L left Ø32 open Body V shape L left Ø32 air right closed	3412582011-OD 3412582011-D

\* : wall-fitting included


Ref	Standard O'Ring	Wall Fitting O'Ring
O'RING	 2917640008 64x4 NBR 70 shores	 2917600001 Silicone useless

Ref	Standard Wall Fitting
WALL FITTING	 3612580002 20 mm threaded Bath thickness from 3 to 13 mm with standard o'ring and 1 to 11 mm with wall fitting o'ring

# Big jets

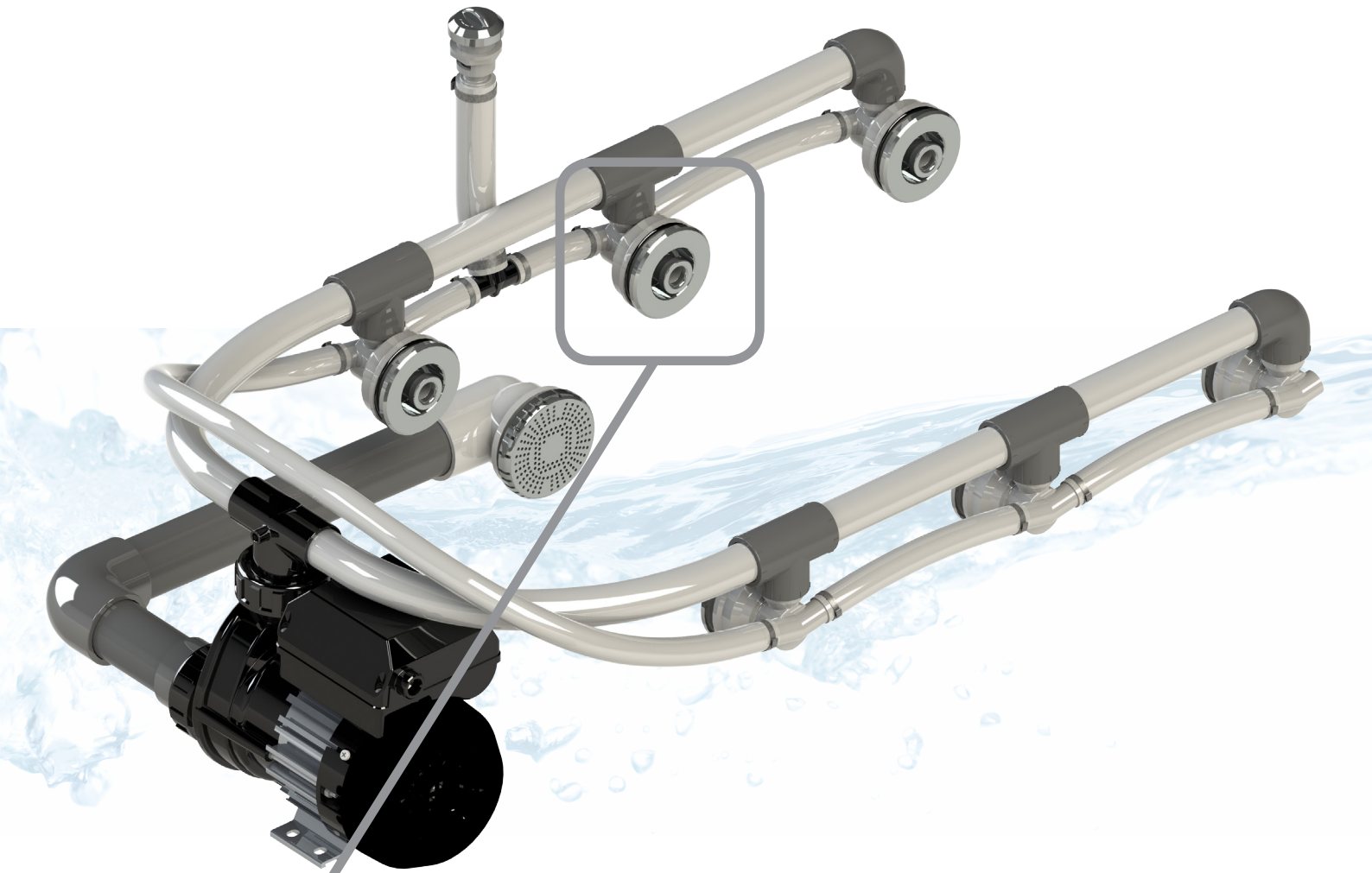
finishing



	Finishing standard	Finishing flower	Finishing premium
Eye-ball Standard	 <p>5211803003</p>	 <p>5211802003</p>	 <p>5211801003</p>
Eye-ball Flower	 <p>5211803013</p>	 <p>5211802013</p>	 <p>5211801013</p>

# Big jets - kit 6 jets

(example)



1/ BODY

2/ O-RING

3/ WALL FITTING

4/ FINISHING

# Big jets - kit 6 jets

(example)

Type	Description	Reference	Quantity
Jets finishing	 Face standard Eye-ball flower	5211803013	6
Body open	 Water left and right open Air left and right open	3412581001	4
Body water open Left air close	 Water left and right open Air left close and right open	3412581001-G	1
Body Water open Right air close	 Water left close Air left open and right close	3412581001-D	1
Wall Fitting	 Standard wall fitting 20 mm threaded	3612580002	6
O'ring	 Wall fitting O'ring silicone useless	2917600001	6
Connections standard body	 Tee PVC (ø32 x 3)	1172320008	4
Connections standard body	 Elbow PVC (ø32 x 2)	1112320038	2
Air control	 Standard silent air control (+ / -) (ABS)	1312001003-1	1
Grooved fitting	 Tee 20-20-20	1172200018	1
Water pipe	 White pipe Ø32	08123200008	3 m
	 White pipe Ø20 int. 19/23	08122500002	3.5 m
Clamp	 Standard metal clamp for pipe Ø19/23	1227240008	12
Suction	 Suction with standard faces Ø86	0911511003	1





# Big jets

## Accessories

	Types	Ref.	Illustrations
<b>CONNECTIONS Standard Body</b>	Tee PVC (ø32 x 3)	1172320008	
	Elbow PVC (ø32 x 2)	1112320038	
	Union PVC (ø20 x 2)	1112200018	
<b>CONNECTIONS «V» shape Body</b>	Tee PP ø25 ¼ turn	1172420001	
	Tee ABS ø32 ¼ turn	1172430001	
	Elbow PP ø25 ¼ turn	1172420011	
	Elbow ABS ø32 ¼ turn	1172430011	
<b>TOOL</b>	Tool for Standard wall fitting	3012000078	



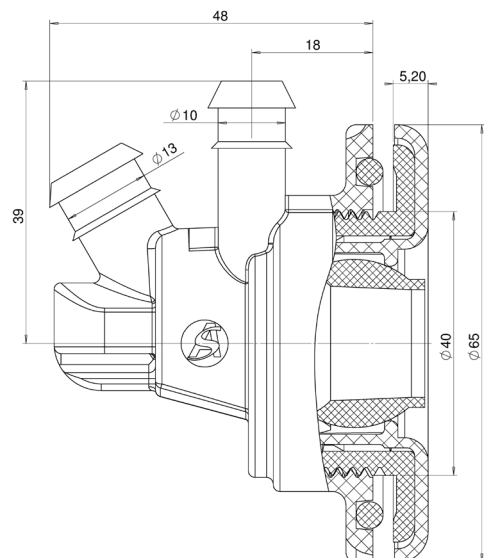
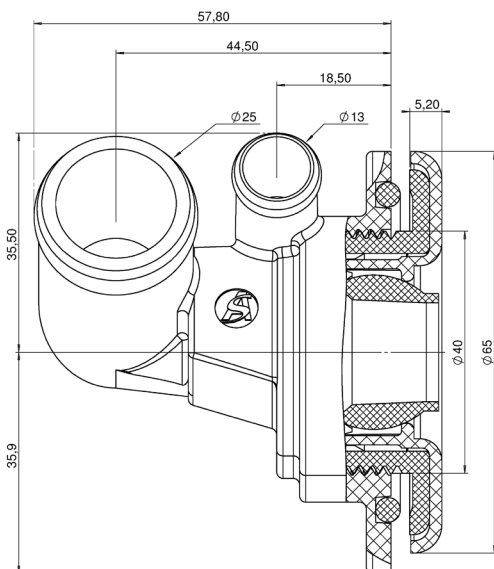
# Compac Jets

Best effect massage  
 Very compact jet  
 Possibility to regulate the flow  
 Without retention

## Exploded view of Compac Jet



## Dimensions of Compac Jet






















# Compac jets

## finishing



	Eye-ball Flower	Eye-ball Standard	Eye-ball Ovo	Eye-ball Rotative
Finishing Flower Ø65 or Ø80	 Ø65 - 5211521113-MON Ø80 - 5211526013-MON	 Ø65 - 5211521103-MON Ø80 - 5211526003-MON	 Ø65 - 5211521123-MON Ø80 - 5211526023-MON	/
Finishing Standard Ø65 or Ø80	 Ø65 - 5211520113-MON Ø80 - 5211525003-MON	 Ø65 - 5211520203-MON Ø80 - 5211525013-MON	 Ø65 - 5211520123-MON Ø80 - 5211525023-MON	/
Finishing Concave Ø65	 5211522113-MON	 5211522103-MON	 5211522123-MON	/
Finishing Lagoon Ø65	 5211523113-MON	 5211523103-MON	 5211523123-MON	/
Finishing Eco Ø65	 3717000013	/	/	/
Finishing Platinum Ø65 - wall fitting included	/	 ABS - 5211524003-MON-1 StainlessSteel - 5211524003-MON-2	/	 ABS - 5211527103-MON-1 StainlessSteel - 5211527103-MON-2
Finishing Platinum Ø50 - wall fitting included	/	 BRASS - 5211524003-MON-3	/	 BRASS - 5211527103-MON-3

# Compac jets - kit 6 jets

(example)



1/ BODY

2/ O-RING

3/ WALL FITTING

4/ FINISHING

# Compac jets - kit 6 jets

(example)

Type	Description	Reference	Quantity
Jets finishing	 Face standard Eye-ball standard	5211520203-MON	6
Body open	 Air left and right open Water left and right open	3417210002	4
Body left close	 Air left close Water left close	3417210002-G	1
Body right close	 Air right close Water right close	3417210002-D	1
Wall Fitting	 Standard Wall Fitting 15mm threaded	3652000011	6
O'Ring	 Wall fitting O'ring silicone useless	2917400001	6
Air control	 Standard silent air control (+ / -) (ABS)	1312001003-1	1
Grooved fitting	 Tee 25-13-13	1152251628	1
Water pipe	 White pipe 13 x 17	0812370028	3.5 m
	 White pipe 25 x 31	0812220012	3.5 m
	 White pipe Ø50	0812220012	1 m
Clamp	 Standard metal clamp for pipe Ø16	1227190008	12
	 Standard metal clamp for pipe Ø25	1227250028	14
Suction	 Suction with standard faces Ø86	0911511003	1

# Compac jets

## Accessories



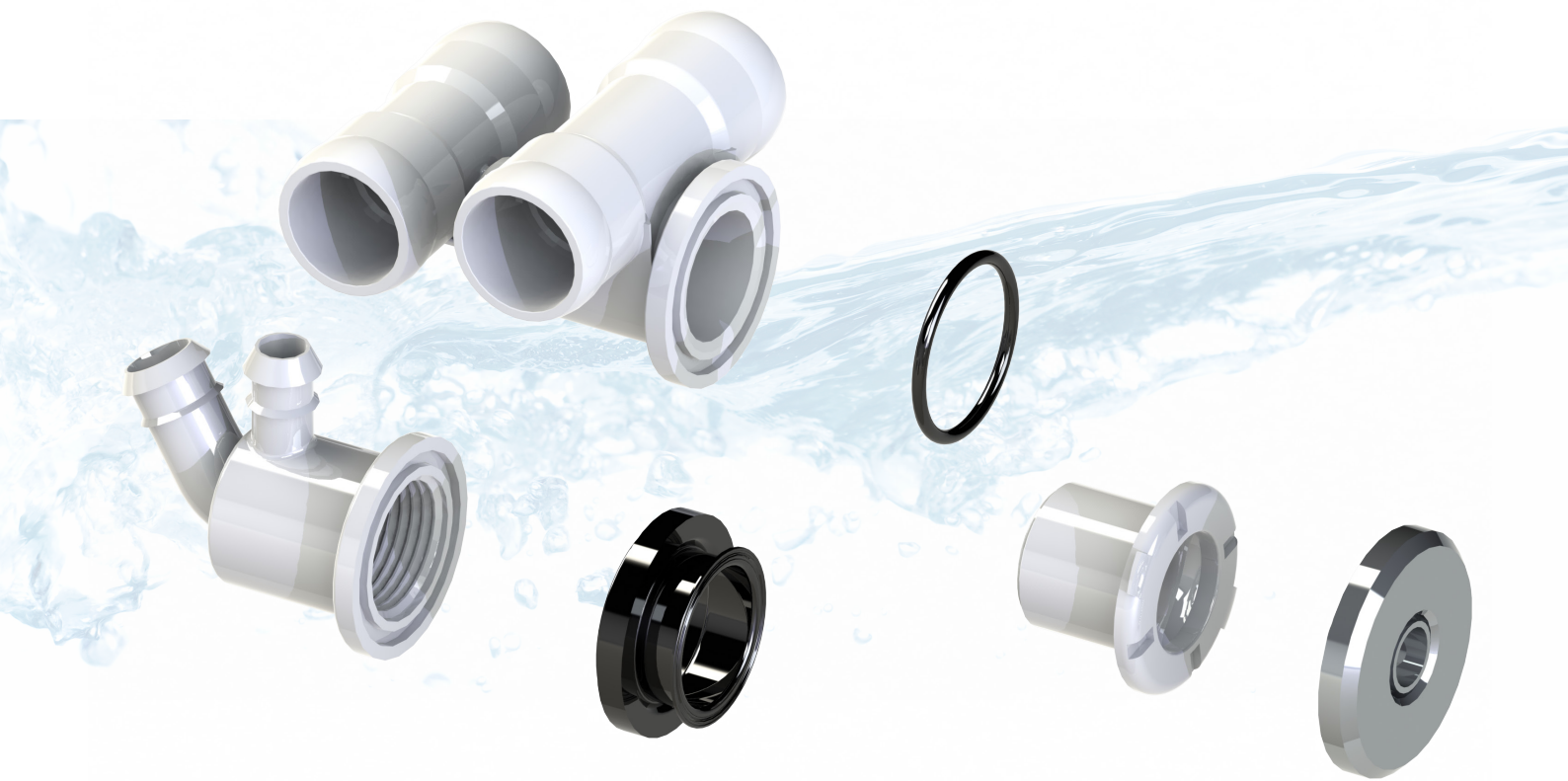
	Types	Ref.	Illustrations
<b>AIR TEE REGULATOR</b>	Air regulator (ø13/13)	1152011608	
<b>MANIFOLD</b>	Air manifold (ø13/13 - 4 x ø10)	1052040008	
	Water manifold (ø25/25 - 3 x ø13)	1052030008	
	Water manifold Tee (ø25-13-25)	1152251608	
	Water manifold elbow (ø25-13)	1152251618	
<b>TOOL</b>	Tool for Standard wall fitting	3072000008	
	Tool for Platinum wall fitting	3012000068	
	Tool to remove the finishing (including the platinum)	3012000088	
	Tool to remove the finishing (except the platinum)	3012000101	



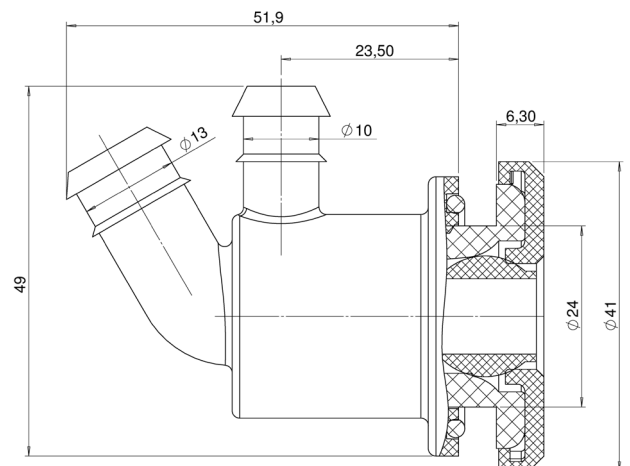
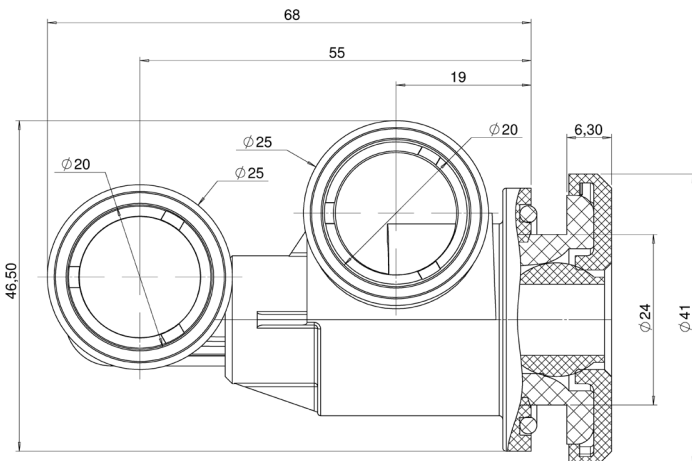
# Micro Jets

Precise massage  
 Designed for lumbar or foot massage  
 Adjustable or rotary

## Exploded view of Micro Jet



## Dimensions of Micro Jet




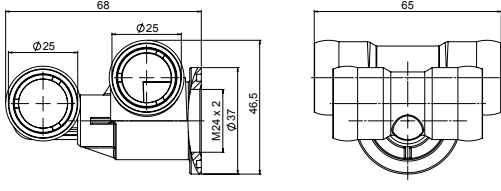


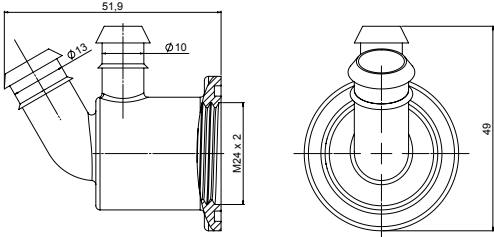

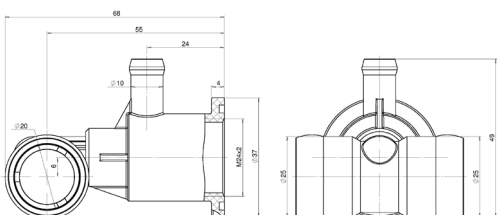





# Micro jets

body, o'ring, wall fitting

- Diameter of drilling 24mm and 25mm with wall fitting o'ring
- Baths thickness from 2 to 15 mm
- Very compact jet



Ref	Bodies	Drawings	Technical Features
BODY	<b>Standard</b> (jet to jet mounting)  3412521002		 3412521002 3412521002-D 3412521002-G
	<b>Compac</b> (manifold mounting)  3412520032		/
	<b>Vertical jet mounting</b> (jet to jet mounting)  3412121002		 3412121002 3412121002-D 3412121002-G

Manifold mounting



Jet to jet mounting

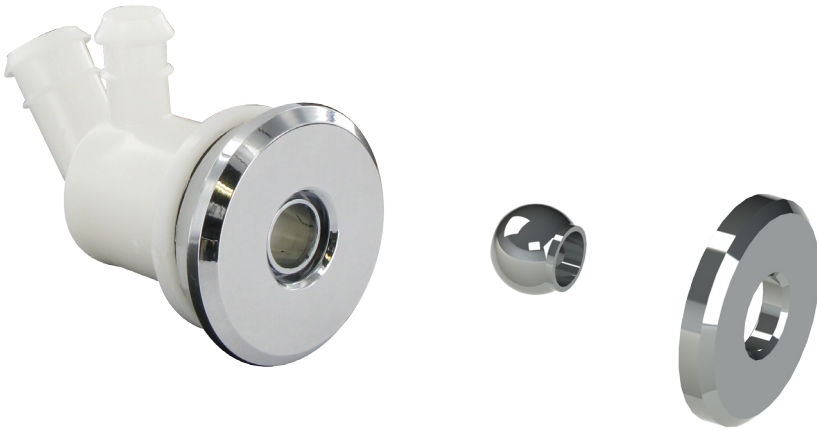


Ref	Standard O'Ring	Wall Fitting O'Ring
O'RING	 2917720001 27.3 x 2.4 NBR 70 shores	 2917250002 Silicone useless 1 to 8 mm with wall fitting o'ring

Ref	Wall Fitting PA6	Wall Fitting PP	Wall Fitting ABS
WALL FITTING	 3618230048 22 mm threaded Bath thickness from 3 to 8 mm with standard o'ring and 1 to 6 mm with wall fitting o'ring	 3618230008 22 mm threaded Bath thickness from 6 to 11 mm with standard o'ring and 4 to 9 mm with wall fitting o'ring	 3618230018 22 mm threaded Bath thickness from 6 to 11 mm with standard o'ring and 4 to 9 mm with wall fitting o'ring

# Micro jets

## finishing



### FINISHING

	FACES STANDARD	FACES LYMPHATIC	FACES ROTARY JET TOP	FACES PREMIUM	FACES PREMIUM ROTATIVE	FACES «ECO» WITHOUT EYE-BALL	FACES «ECO» WITH FIX EYE-BALL	FACES CHAMPAGNE
Wall Fitting ABS 	/		/		/			/
3618230018		5211371023		5211371073		5211371053	5211371063	
Wall Fitting PP 		/				/	/	/
3618230008	5211371003		5211371013	5211371033				
Wall Fitting PA6 	/	/	/		/			
3618230048				5211371093		5211371053-2	5211371063-2	5211371083

### FINISHING with wall fitting included

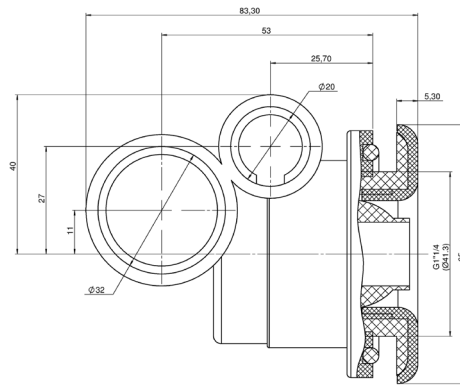
	3713371003	5213371013-9016	5213371003
	FACE CHAMPAGNE 22mm 52 1337 1033	FACE CHAMPAGNE 30MM 52 1337 1023	



# Micro jets

## Accessories

	Types	Ref.	Illustrations
<b>AIR TEE REGULATOR</b>	Air regulator (ø13/13)	1152011608	
<b>REDUCER</b>	Reducer 32 - 20	1112350008	
	Reducer 20 - 13	1171210002	
<b>MANIFOLD</b>	Air manifold (ø13/13 - 4 x ø10)	1052040008	
	Water manifold (ø25/25 - 3 x ø13)	1052030008	
	Water manifold Tee (ø25-13-25)	1152251608	
	Water manifold elbow (ø25-13)	1152251618	
<b>TOOL</b>	Tool for Standard wall fitting	3012000068	



# Mac jets

Tonic massage - Basic ; simple and reliable - Directionnal

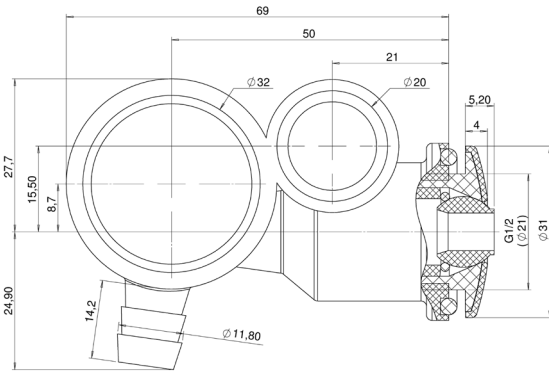
Ref	Bodies	Drawings	Technical Features
BODY MAC JETS	<p><b>Ø32/20</b></p> <p>3411320031</p>		<ul style="list-style-type: none"> <li>• Diameter of drilling 42mm with wall fitting o'ring</li> <li>• Baths thickness from 2 to 25 mm</li> <li>• PVC Made of</li> </ul>
	<p><b>Ø32/32</b></p> <p>3411330001</p>		

## Exploded view of Micro Jet



**Complete jet references :**  
 version 32x20 chrome - 0611321013  
 version 32x32 chrome - 0611321033

Ref	Standard O'Ring	Ref	Wall Fitting
O'RING	<p>47 x 4 NBR 70 shores</p> <p>2917440008</p>	WALL FITTING	<p>Short version 20mm threaded, bath thickness from 2 to 13 mm</p> <p>Long version 32 mm threaded, bath thickness from 6 to 25 mm</p> <p>3611200001 (short version) 3611320001 (long version)</p>

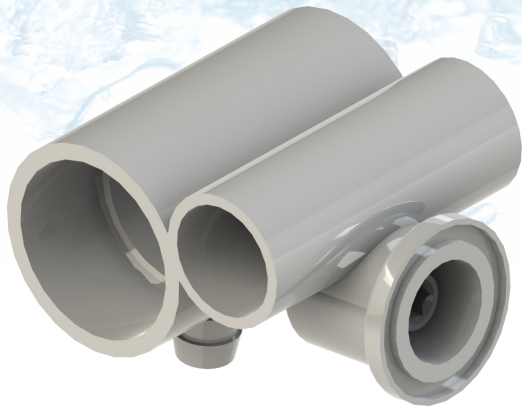


# Euromic Jets

Tonic massage - Basic ; simple and reliable - Directionnal

Ref	Bodies	Drawings	Technical Features
BODY EUROMIC	<p><b>Ø32/20</b></p> <p>3411320001</p>		<ul style="list-style-type: none"> <li>• Diameter of drilling 21mm</li> <li>• Baths thickness from 2 to 15mm</li> <li>• PVC Made of</li> </ul>

## Exploded view of Micro Jet













**Complete jet references :**  
version 32x20 chrome - 0611321043

Ref	Standard O'Ring	Ref	Wall Fitting
O'RING	<p>24 x 3 NBR 70 shores</p> <p>2917230008</p>	<p><b>WALL FITTING</b></p> <p>3611150001 (short version) 3611220001 (long version)</p>	<p>Short version 15mm threaded, bath thickness from 2 to 8 mm</p> <p>Long version 22 mm threaded, bath thickness from 6 to 15 mm</p>





# Accessories

## for clamp system

	Types	Ref.	Illustrations		Types	Ref.	Illustrations
<b>CLAMP</b>	Cable Strap 160 x 4.8	1222410008			Re-useable metal clamp for pipe Ø25	1227250048	
	Standard metal clamp for pipe Ø25	1227250028			Re-useable metal clamp for pipe Ø13/17	1227180008	
	Standard metal clamp for pipe Ø13/17	1227190008			Standard metal clamp for pipe Ø19/23 (only for Big jet)	1227240008	
	Standard metal clamp for pipe Ø10/14	1227150008					

<b>PIPE</b>	White pipe 25 x 31	0812220012			White pipe Ø50	0812500008	
	White pipe 13 x 17 - 75 shores	0812370028			White pipe Ø19/23 (Big jet only)	0812250002	
	White pipe 10 x 14 - 75 shores	0812101418					

<b>AIR TEE</b>	Air tee regulator	1152011608					
----------------	-------------------	------------	---	--	--	--	--





























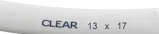

<b>MANIFOLD</b>	Air manifold	1052040008			Water manifold Tee 25-25-13	1152251608	
	Water manifold	1052030008			Water manifold elbow 25-13	1152251618	

<b>TEE PUMP</b>	Tee pump «Y» Ø25	0313630001			Tee pump Ø25 - 2"1/4	1112250007	
-----------------	------------------	------------	---	--	----------------------	------------	--

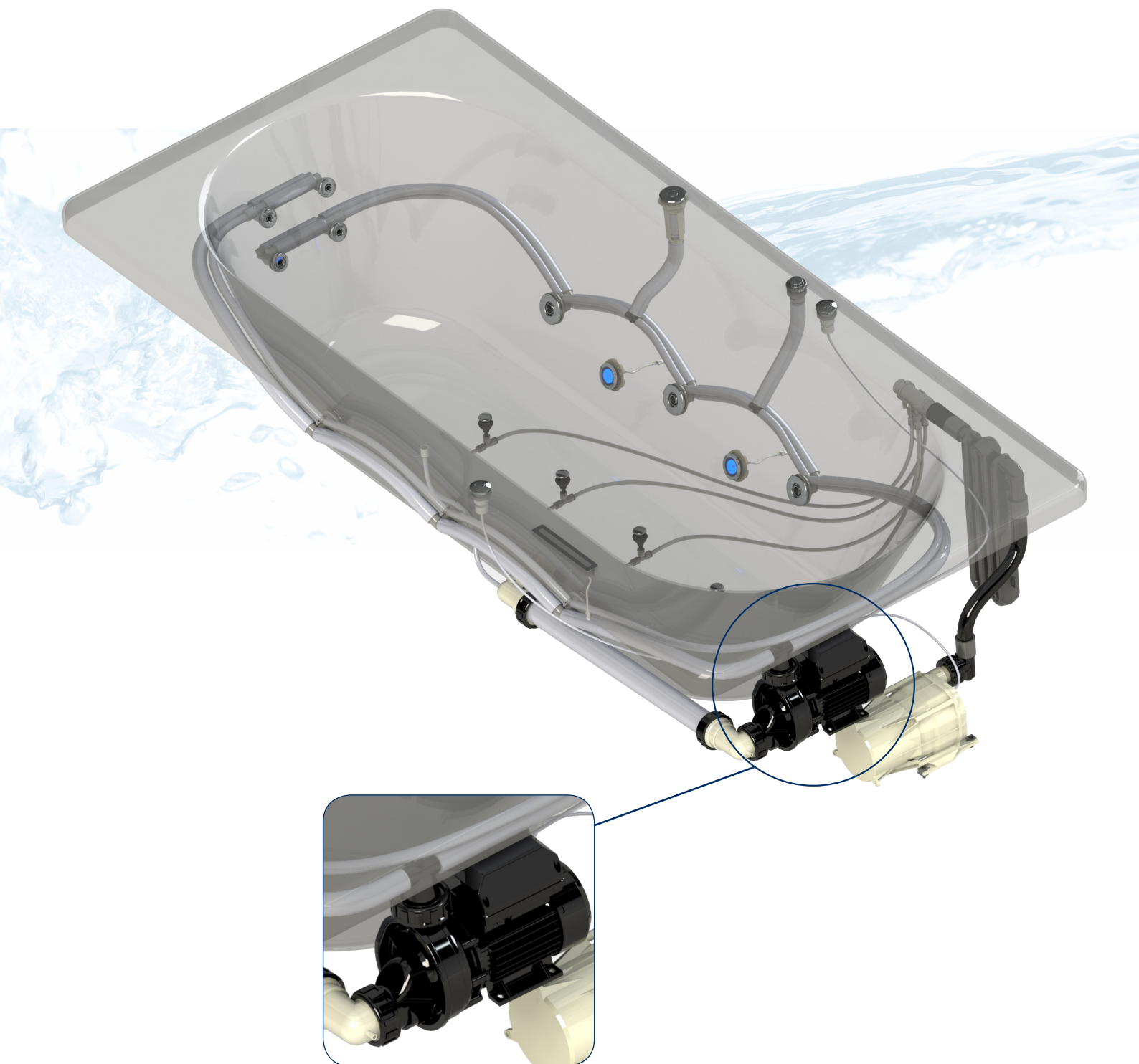
<b>GROOVED FITTING</b>	Tee 25-25-25	1177250007			Tee 13-13-13	1117170007	
	Tee 25-13-13	1152251628			Tee 10-10-10	1117140007	
	Reducer 25-20	1112600018			Reducer 25-13	1112600008	
	Grooved Y 25-25-25	1177250017			Grooved elbow 25-25	1177250027	

# Accessories

## for glued system

	Types	Ref.	Illustrations		Types	Ref.	Illustrations
<b>UNION</b>	PVC union Ø50	1112500018			PVC union Ø20	1112200018	
	PVC union Ø32	1112320018			PVC union Ø25 / Ø25 grooved	1134550008	
<b>REDUCER</b>	PVC reducer Ø32-20 (short)	1112320028			PVC reducer Ø32-20	1112350008	
	PVC reducer Ø32-25 (short)	1112320068					
<b>ELBOW 45°</b>	PVC elbow 45° Ø50	1112450008			PVC elbow 45° Ø32	1112320058	
	PVC elbow 45° Ø50 M/F	1112450018			PVC elbow 45° Ø20	1112200048	
<b>ELBOW 90°</b>	PVC elbow 90° Ø50	1112900008			PVC elbow 90° Ø32	1112320038	
	PVC elbow 90° Ø50 M/F	1112900018			PVC elbow 90° Ø20	1172920008	
<b>TEE</b>	PVC tee Ø50	1172500008			PVC tee Ø20	1172200008	
	PVC tee Ø32	1172320008			PVC reduced tee Ø32-20-32	1172330008	
<b>«Y»</b>	PVC «Y» Ø32	1172450008			PVC «Y» Ø20	1172201008	
<b>STOPPER</b>	Stopper Ø20	1182200008			Stopper Ø20 (Rapid jet only)	1112250008	
	Stopper Ø32	1112320008			Stopper Ø20	1112200008	
<b>PIPE</b>	White pipe Ø20	0812200008			White pipe Ø50	0812500008	
	White pipe Ø32	0812320008			White pipe Ø19/23 (only for Big jet)	0812250002	
<b>GLUE</b>	Tangit all pressure glue 1kg tin with brush	3382100018					

# THE PUMPS & BLOWERS





# Pump range

The pump is the heart of the balneotherapy system. Its power is dimensioned according to the number of jets and the choice of assembly. Exclusive to ASD, the pumps can integrate the electronic controls in their terminal boxes in order to reduce their costs and simplify their assembly.

## **ATL2 : The most compact pump**

3 powers : 560 - 750 - 900 W

Flow : up to 18 m<sup>3</sup>/h

Speed : Single & Multispeed (for 900W)

---



## **PB N : High performance pump**

3 powers : 900 - 1150 - 1350 W

Flow : up to 20 m<sup>3</sup>/h

Speed : Single - Two speeds - Multispeed

---



## **PB L : High flow pump**

3 powers : 900 - 1150 - 1350 W

Flow : up to 30 m<sup>3</sup>/h

Speed : Single - Two speeds - Multispeed

---



## **PB K : High pressure pump**

3 powers : 900 - 1150 - 1350 W

Flow : up to 30 m<sup>3</sup>/h

Speed : Single - Two speeds - Multispeed

---



## **PB PVF : Variable speed pump**

3 powers : 900 - 1100 - 1200 W

Flow : up to 24 m<sup>3</sup>/h

Speed : Multispeed

---



## **XP2e : The Spa pump**

4 powers : 1,5 - 2 - 2,5 - 3 HP

Flow : up to 51 m<sup>3</sup>/h

Speed : Single & Two speed (for 1,5 - 2 - 2,5 HP)

---



## **PC : The economical pump**

Power : 580 W

Flow : up to 17 m<sup>3</sup>/h

Speed : Single

---



## **Drain, filtration pump**

Power : 90 W

Flow : up to 6,5 m<sup>3</sup>/h

Speed : Single



# Pump ATL2

The most compact pump



## Applications

Pump for whirlpool baths and Showers

## Technical features

Pump body in polypropylene

Insulation class 1

Complete draining (Retention 0)

Complete electric isolation on the driving shaft sleeve

### Inlet :

Ø ext. G2" 1/4 male  
or threaded ASA

### Outlet :

Ø ext. G2" 1/4 male  
or threaded ASA

Automatic motor thermal cut-out to  
155°C +/- 5°C

### Using restriction :

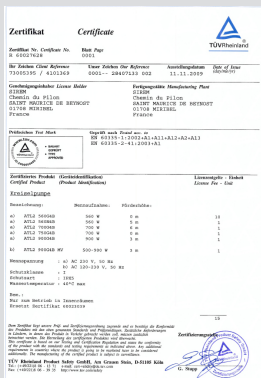
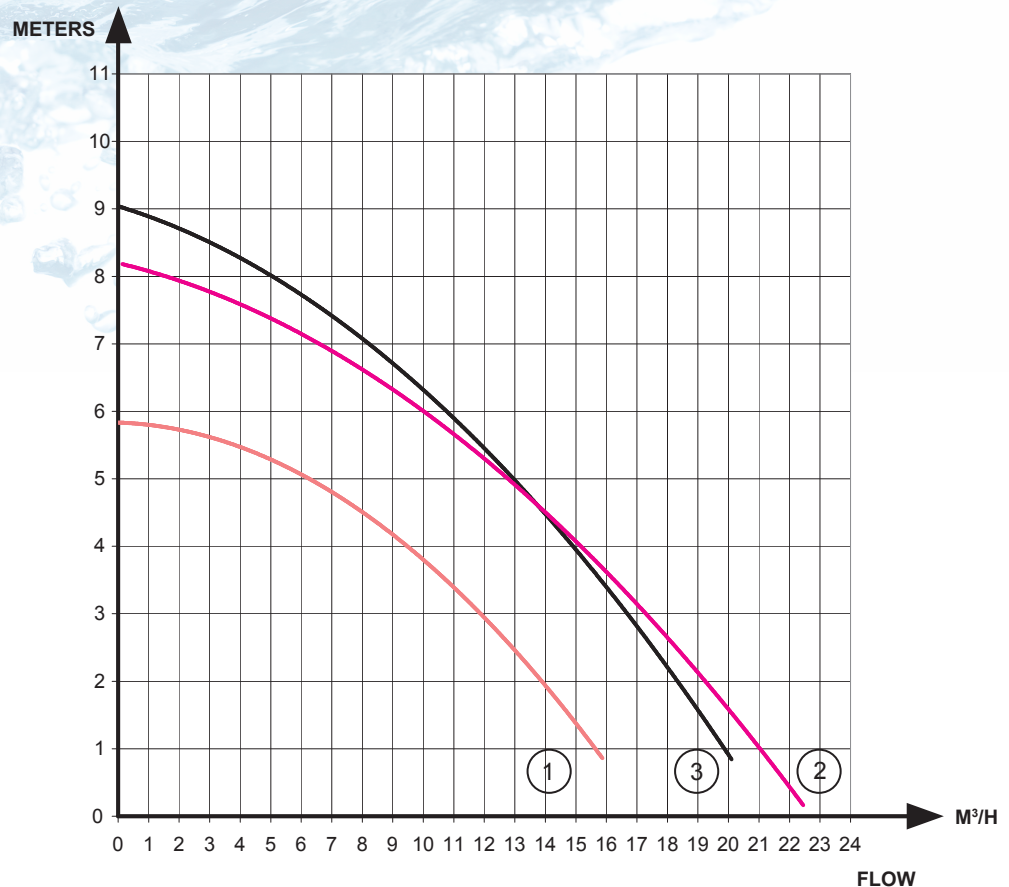
Maximum input pressure :  
2,5 bar

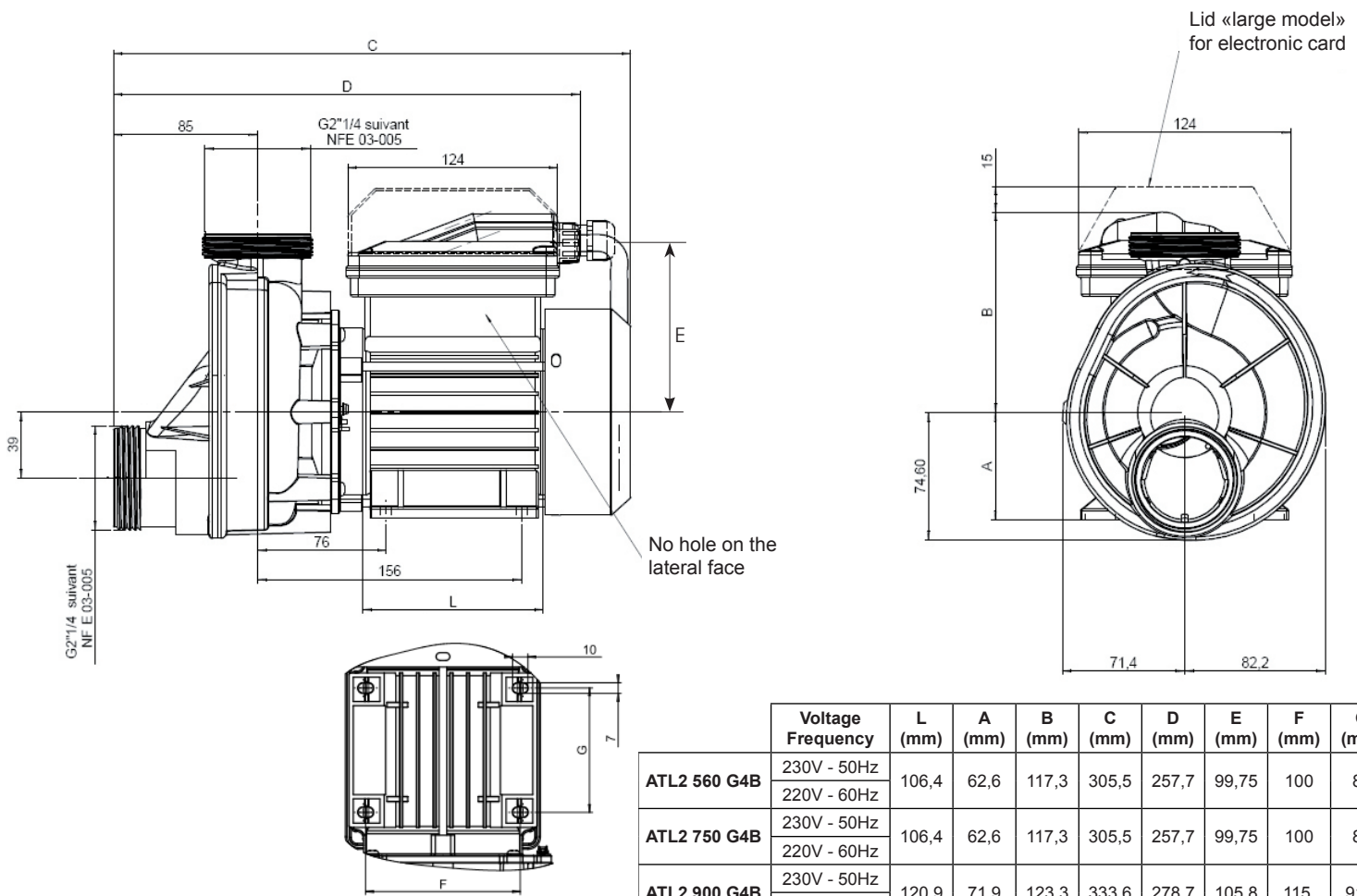
Maximum water temperature : 40°C

Minimum output pressure :  
0,1 bar on ATL2 560 G4B  
0,1 bar on ATL2 750 G4B  
0,1 bar on ATL2 900 G4B (MV)

Single Phase Type	Electric Power (W)	Max Flow (M <sup>3</sup> /hr)	Hmin (m)	Curves
ATL2 560 G4B	560	16	1	1
ATL2 750 G4B	750	22.5	1	2
ATL2 900 G4BMV*	900	20	1	3

\*MV : variable speed 140-230V 50Hz





	Voltage Frequency	L (mm)	A (mm)	B (mm)	C (mm)	D (mm)	E (mm)	F (mm)	G (mm)
<b>ATL2 560 G4B</b>	230V - 50Hz	106,4	62,6	117,3	305,5	257,7	99,75	100	80
	220V - 60Hz								
<b>ATL2 750 G4B</b>	230V - 50Hz	106,4	62,6	117,3	305,5	257,7	99,75	100	80
	220V - 60Hz								
<b>ATL2 900 G4B</b>	230V - 50Hz	120,9	71,9	123,3	333,6	278,7	105,8	115,	91,7
	220V - 60Hz								

## Options

230 V / 50 Hz  
220 V / 60 Hz  
110 V / 60 Hz

Multi-speed 130 V / 230 V for ATL2 900 G4B (MV)

Pneumatic switch (CP)

Electric cable (EC)  
0.5 / 1 / 1.5 / 2 / 2.5m

1 function electronic card for electronic keypad  
+ water level sensor (1F-EL)

1 function electronic card for pneumatic controller  
+ water level sensor (1F-CP)

Other card on demand

Double switch

Terminal box

Available with body type N/L

## General

These pumps comply with the standards and directives in force

Conform to standards  
EN 60 335 - 1  
EN 60 335 - 2 - 41  
CE

	Types	Ref.	Illustrations
Tee Pump Fittings	Tee pump Ø 33.7 (thread 2") Tee pump Ø 32 (thread 2"1/4) Tee pump Ø 25 grooved	1112330007 1112320007 1112250007	
	Tee pump «Y» Ø 25	0313630001	
Pump Union Fittings	Pump union Ø 48 (thread ASA) Pump union Ø 50 (thread ASA) Pump union Ø 50 (thread 2"1/4) Pump union Ø 40 (thread 2")	1112000008 1112230048 1112230018 1112230028	
	Pump union elbow 90° Ø 50 (thread 2"1/4) <i>ASA on demand</i>	1112590027	
	Pump union elbow 45° Ø 50 <i>ASA on demand</i>	1112541007	
	Leg for jet pump	Silent block (x4) Silent Block Ø 20 / H 20 Silent Block Ø 20 / H 30	2417041018 2417000018 2417300018
Bracket	Bracket (only for 560W and 700W)	2477280001	



# Pump PB N

## High performance pump

### Applications

Pump for whirlpool baths with strong capacity

Pump designed for electronic variation

### Technical Features

0 to 20 m<sup>3</sup>/hr  
0 to 1.7 bar

Pump body in polypropylene  
Compactness  
Complete draining

5 connection box positions

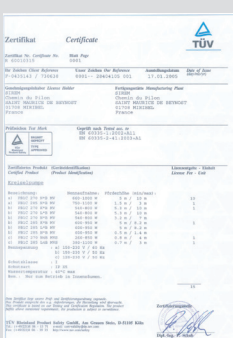
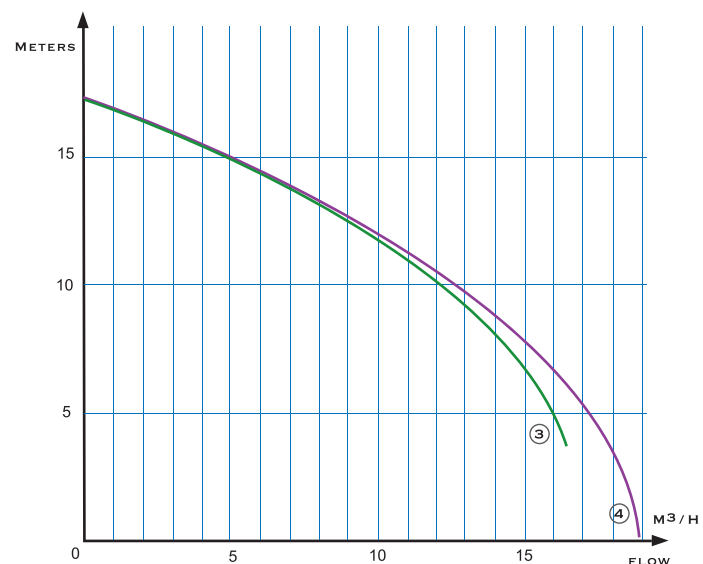
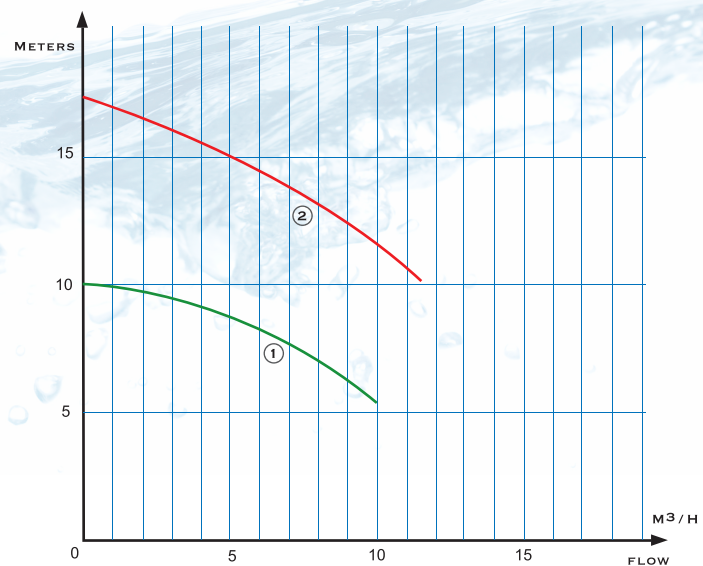
#### Inlet :

Ø Ext. G2"1/4 male - Ø Int. 50  
or threaded ASA

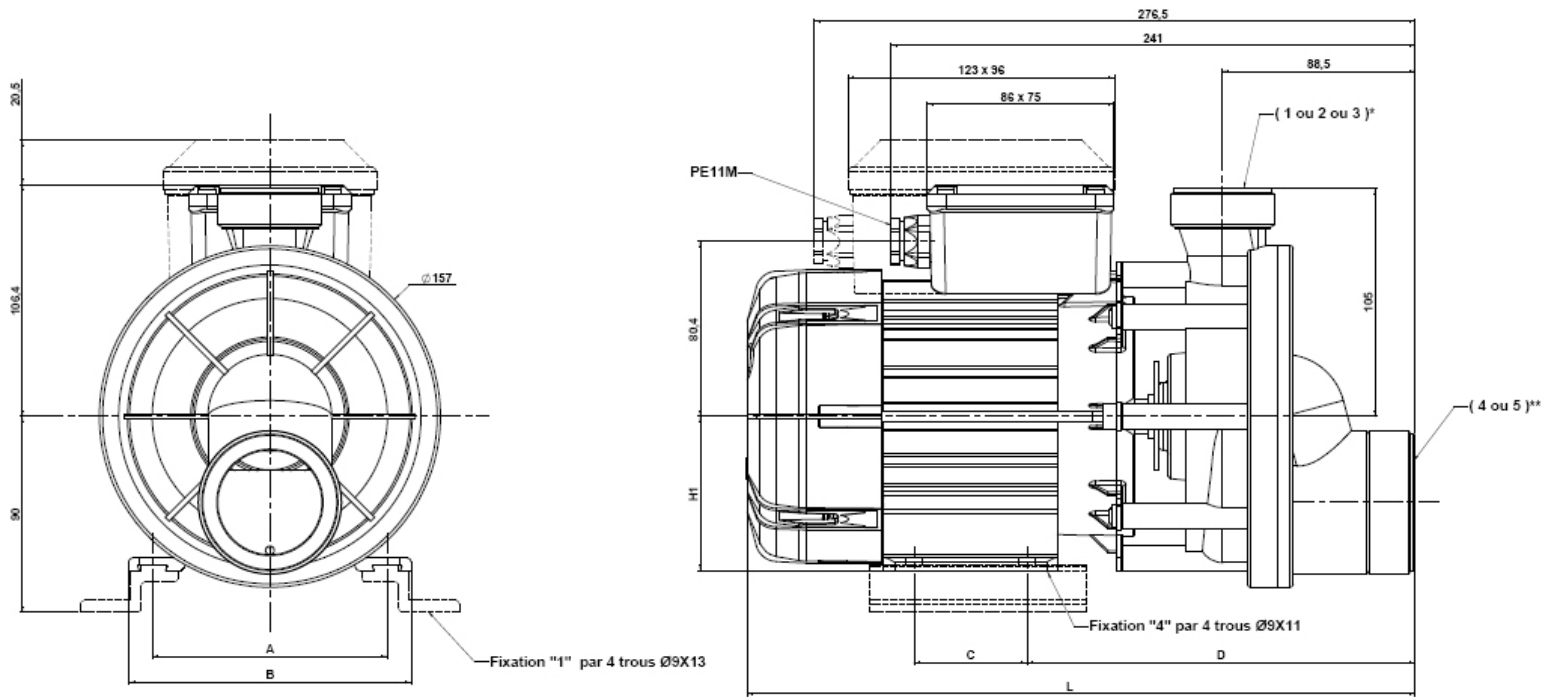
#### Outlet :

Ø Ext. G1"1/2 male - Ø Int. 32  
Ø Ext. G2"1/4 male - Ø Int. 50  
or threaded ASA

Single Phase Type	Electric Power (W)	L (mm)	Weight (Kg)	Curve
PB 1C 250 N4B	560	285.5	6.6	1
PB 1C 270 N4B	900	305.5	8	2
PB 1C 285 N4B	1150	320.5	9	3
PB 1C 80 N4B	1350	342.5	10	



TUV CERTIFICATE



	L (mm)	A (mm)	B (mm)	C (mm)	D (mm)	H1 (mm)	H2 (mm)
PB 1C 250 PB 3 250	287.2	108	130	32	220.5	71	178.5
PB 1C 270 PB 3 270	307.2	108	130	52	220.5	71	178.5
PB 1C 285 PB 3 285	322.2	108	130	67	220.5	71	178.5
PB 1C 80 PB 3 80	337.2	125	147	100	219	80	173

**Options**

220 V / 50 Hz  
220 V / 60 Hz  
110 V / 60 Hz

Variable speed :  
130 V to 230 V (MV)

Pneumatic switch (CP)

Electric cable  
0,5 / 1 / 1,5 / 2 / 2,5 m

1 function electric card for electric control  
+ water level sensor (1F-EL)

1 function electric card for pneumatic  
control + water level sensor (1F-CP)

**General**

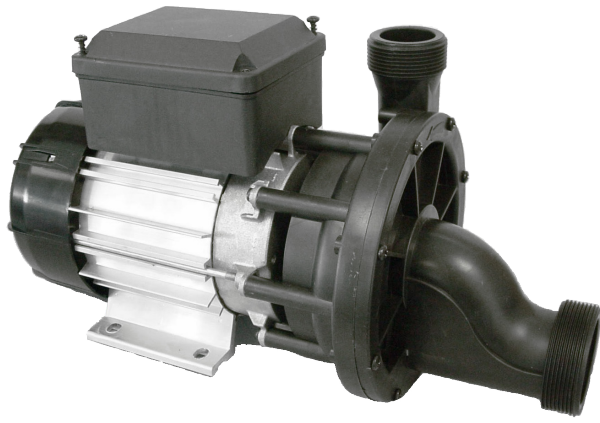
These pumps comply with the standards  
and directives in force

Conform to standards :  
EN 60 335-1  
EN 60 335-2-41

According to the CE regulation

Validated and qualified by the  
organization TÜV

	Types	Ref.	Illustrations
Tee Pump Fittings	Tee pump Ø 33.7 (thread 2") Tee pump Ø 32 (thread 2"1/4) Tee pump Ø 25 grooved	1112330007 1112320007 1112250007	
	Tee pump «Y» Ø 25	0313630001	
Pump Union Fittings	Pump union Ø 48 (thread ASA) Pump union Ø 50 (thread ASA) Pump union Ø 50 (thread 2"1/4) Pump union Ø 40 (thread 2")	1112000008 1112230048 1112230018 1112230028	
	Pump union elbow 90° Ø 50 (thread 2"1/4) <i>ASA on demand</i>	1112590027	
	Pump union elbow 45° Ø 50 <i>ASA on demand</i>	1112541007	
	Leg for jet pump	Silent block (x4) Silent Block Ø 20 / H 20 Silent Block Ø 20 / H 30	2417041018 2417000018 2417300018



# Pump PB L

## High flow pump

### Applications

Pump for whirlpool baths with strong capacity

Pump designed for electronic variation

### Technical Features

0 to 30 m<sup>3</sup>/hr  
0 to 1,7 bar

Pump body in polypropylene  
Complete draining

8 discharge positions  
5 connection box positions

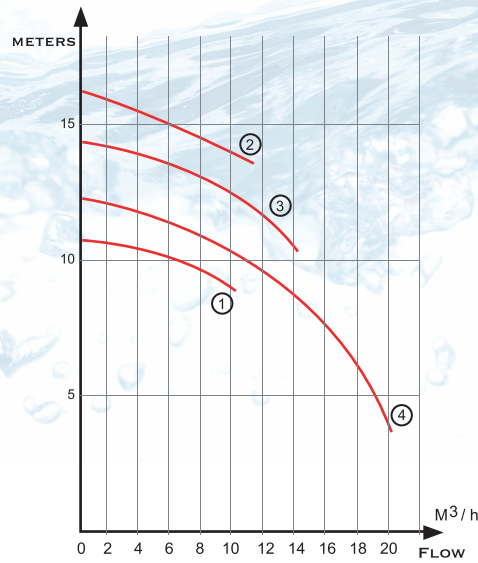
### Inlet (threaded) :

Ø Ext. G2" male - Ø Int. 40  
Ø Ext. G2"1/4 male - Ø Int. 50

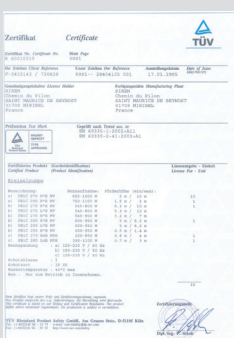
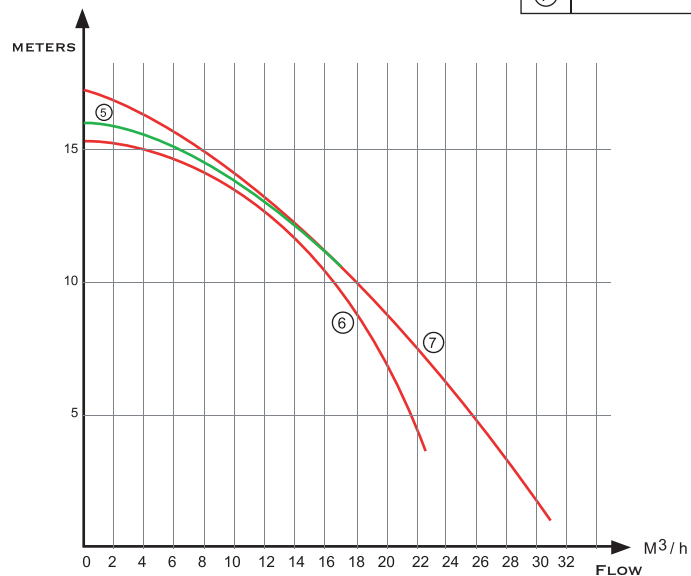
### Outlet :

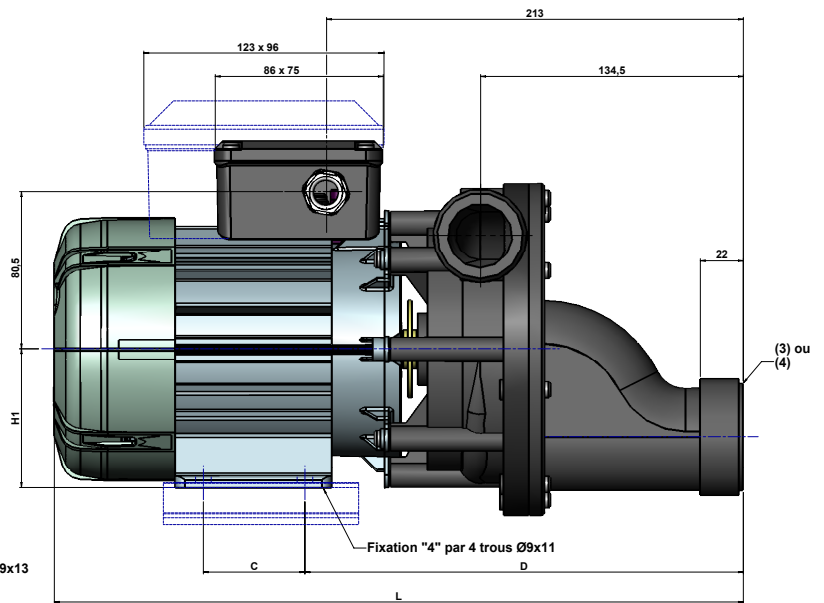
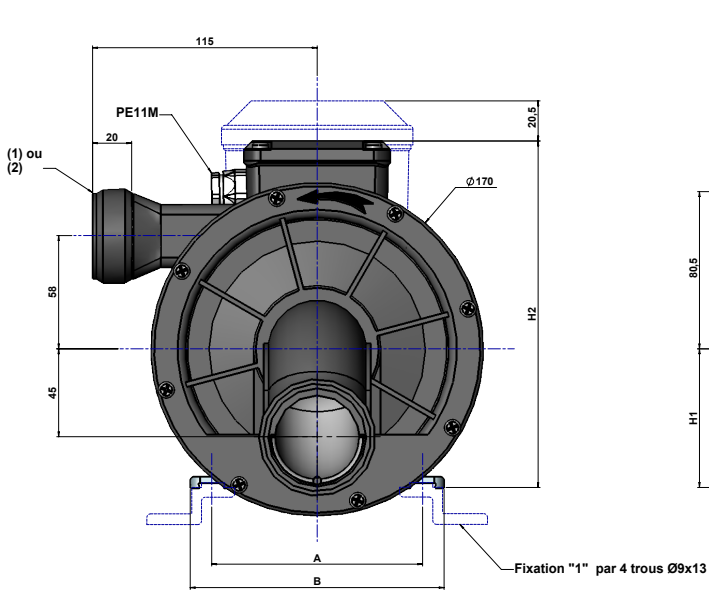
Ø Ext. G1"1/2 male - Ø Int. 32  
Ø Ext. G2" male - Ø Int. 40  
Ø Ext. G2"1/4 male

Single Phase Type	Electric Power (W)	L (mm)	Weight (Kg)
PB 1C 250 L4B	560	331	6.6
PB 1C 270 L4B	900	351	8
PB 1C 285 L4B	1150	366	9
PB 1C 80 L1B	1350	388	10



①	PB 1C 250 LB	Imperler / Turbine Ø 88
②		Imperler / Turbine Ø 107
③	PB 1C 270 LB	Imperler / Turbine Ø 100
④		Imperler / Turbine Ø 93
⑤	PB 1C 285 LB	Imperler / Turbine Ø 107
⑥		Imperler / Turbine Ø 100
⑦	PB 1C 80 LB	Imperler / Turbine Ø 107





Dimensions (mm)	L	A	B	C	D	H1	H2
<i>Models</i>							
PB 1C250 PB 3250	278	108	130	32	160,5	71	177,5
PB 1C270 PB 3270	288	108	130	52	160,5	71	177,5
PB 1C285 PB 3285	301	108	130	67	160,5	71	177,5
PB 1C80 PB 80	323	125	147	100	155,5	80	186,5

## Options

220 V / 50 Hz  
220 V / 60 Hz  
110 V / 60 Hz

Variable speed :  
130 V to 230 V (MV)

Pneumatic switch (CP)

Electric cable  
0,5 / 1 / 1,5 / 2 / 2,5 m

1 function electric card for electric control  
+ water level sensor (1F-EL)

1 function electric card for pneumatic  
control + water level sensor (1F-CP)

## General

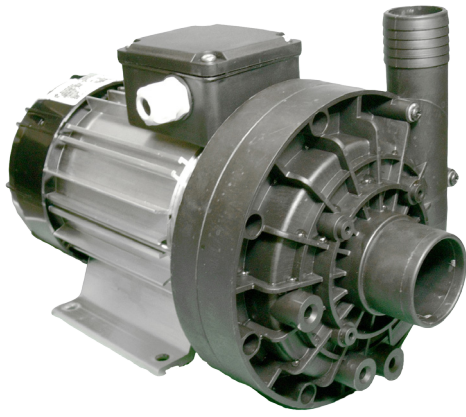
These pumps comply with the standards  
and directives in force

Conform to standards :  
EN 60 335-1  
EN 60 335-2-41

According to the CE regulation

Validated and qualified by the  
organization TÜV

	Types	Ref.	Illustrations
Tee Pump Fittings	Tee pump Ø 33.7 (thread 2") Tee pump Ø 32 (thread 2"1/4) Tee pump Ø 25 grooved	1112330007 1112320007 1112250007	
	Tee pump «Y» Ø 25	0313630001	
Pump Union Fittings	Pump union Ø 48 (thread ASA) Pump union Ø 50 (thread ASA) Pump union Ø 50 (thread 2"1/4) Pump union Ø 40 (thread 2")	1112000008 1112230048 1112230018 1112230028	
	Pump union elbow 90° Ø 50 (thread 2"1/4) <i>ASA on demand</i>	1112590027	
	Pump union elbow 45° Ø 50 <i>ASA on demand</i>	1112541007	
	Leg for jet pump	Silent block (x4) Silent Block Ø 20 / H 20 Silent Block Ø 20 / H 30	2417041018 2417000018 2417300018



# Pump PB K

## High pressure pump

### Applications

Pump specially designed for spas and whirlpool baths

Pump designed for electronic variation

### Technical Features

0 to 30 m<sup>3</sup>/hr  
0 to 1,7 bar

Pump body in polypropylene

8 discharge positions  
5 connection box positions

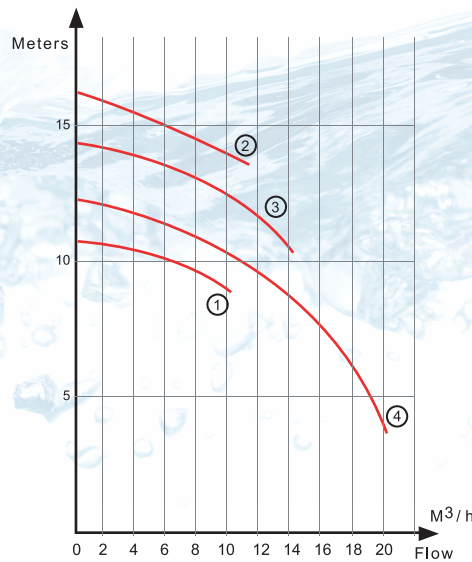
### Inlet (threaded) :

Ø Ext. G2" male - Ø Int. 40  
Ø Ext. G2"1/4 male - Ø Int. 50

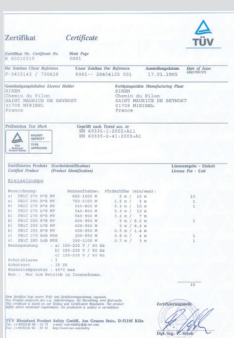
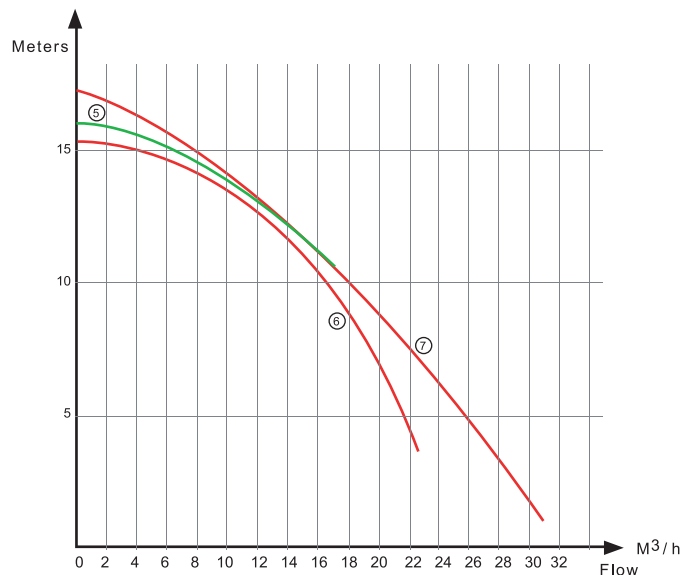
### Outlet :

Ø Ext. G1"1/2 male - Ø Int. 32  
Ø Ext. G2" male - Ø Int. 40  
Ø Ext. G2"1/4 male

Single Phase Type	Electric Power (W)	L (mm)	Weight (Kg)
PBL 1C 250 K4B	560	266	6.6
PBL 1C 270 K4B	900	286	8
PBL 1C 285 K4B	1150	301	9
PBL 1C 80 K1B	1350	323	10

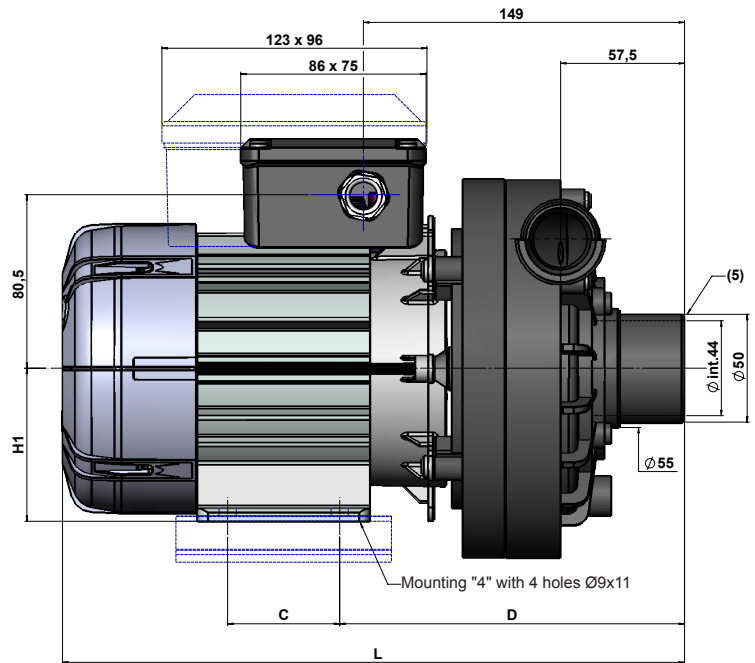
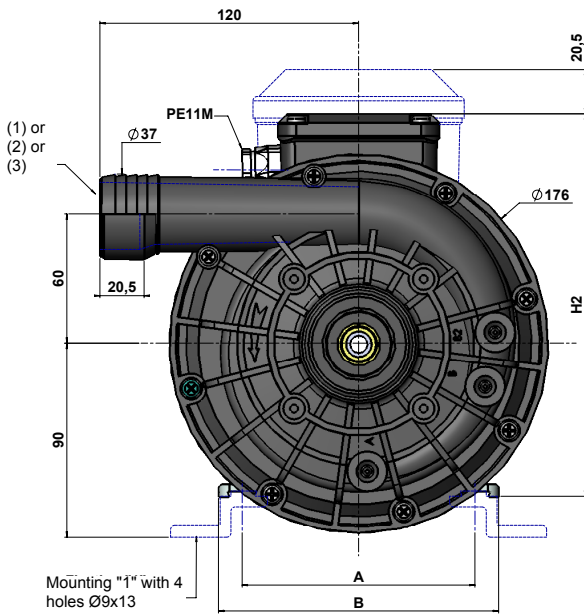


①	PB 1C 250 KB PB 3 250 KB	Imperler / Turbine Ø 88
②		Imperler / Turbine Ø 107
③	PB 1C 270 KB PB 3 270 KB	Imperler / Turbine Ø 100
④		Imperler / Turbine Ø 93
⑤	PB 1C 285 KB PB 3 285 KB	Imperler / Turbine Ø 107
⑥		Imperler / Turbine Ø 100
⑦	PB 1C 80 KB PB 3 80 KB	Imperler / Turbine Ø 107



TUV CERTIFICATE





**Ø Discharge :**

- (1) - Ribed Ø ext. 37 - Ø int. 29,3 connection on smooth pipe
- (2) - On request : Threaded Ø ext. G1"½ male - Ø int. 33
- (3) - On request : Threaded Ø ext. G1"½ male - Ø int. 37
- (4) - On request : Threaded Ø ext. G2"½ male - Ø int. 50

**Ø Suction :**

- (5) - On request : Threaded Ø int. G1"½ female

Dimensions (mm)	L	A	B	C	D	H1	H2
<b>Pumps</b>							
PB 1C250 PB 3250	278	108	130	32	160,5	71	177,5
PB 1C270 PB 3270	288	108	130	52	160,5	71	177,5
PB 1C285 PB 3285	301	108	130	67	160,5	71	177,5
PB 1C80 PB 80	323	125	147	100	155,5	80	186,5

**Options**

220 V / 50 Hz  
220 V / 60 Hz  
110 V / 60 Hz

Variable speed :  
130 V to 230 V (MV)

Pneumatic switch (CP)

Electric cable  
0,5 / 1 / 1,5 / 2 / 2,5 m

1 function electric card for electric control  
+ water level sensor (1F-EL)

1 function electric card for pneumatic  
control + water level sensor (1F-CP)

**General**

These pumps comply with the standards  
and directives in force

Conform to standards :  
EN 60 335-1  
EN 60 335-2-41

According to the CE regulation

Validated and qualified by the  
organization TÜV

	Types	Ref.	Illustrations
Tee Pump Fittings	Tee pump Ø 33.7 (thread 2") Tee pump Ø 32 (thread 2"1/4) Tee pump Ø 25 grooved	1112330007 1112320007 1112250007	
	Tee pump «Y» Ø 25	0313630001	
Pump Union Fittings	Pump union Ø 48 (thread ASA) Pump union Ø 50 (thread ASA) Pump union Ø 50 (thread 2"1/4) Pump union Ø 40 (thread 2")	1112000008 1112230048 1112230018 1112230028	
	Pump union elbow 90° Ø 50 (thread 2"1/4) <i>ASA on demand</i>	1112590027	
	Pump union elbow 45° Ø 50 <i>ASA on demand</i>	1112541007	
	Leg for jet pump	Silent block (x4) Silent Block Ø 20 / H 20 Silent Block Ø 20 / H 30	2417041018 2417000018 2417300018



# Pump PVF

The latest innovation for variable speed

## Applications

Pump for whirlpool baths and showers

## Technical features

Pump body in polypropylene

Built-in frequency converter

Perfect linear speed control

Reducing the motor heating

Efficiency increased to get more performance with less power (20%)

Silent Pump

Easy to Use

Dry Run & Thermal Overload Protection

2 Versions available :

- as a master board
- as a slave (PWM communication)

### Inlet :

Type H :

Ø Int. G1" female

Type L :

Ø Ext. G2" male - Ø Int. 40

Ø Ext. G2"1/4 male - Ø Int. 50

Type K :

Ø Ext. G2" male - Ø Int. 40

Ø Ext. G2"1/4 male - Ø Int. 50

### Outlet :

Type H :

Ø Ext. G3/4" male

Type L :

Ø Ext. G1"1/2 male - Ø Int. 32

Ø Ext. G2" male - Ø Int. 40

Ø Ext. G2"1/4 male

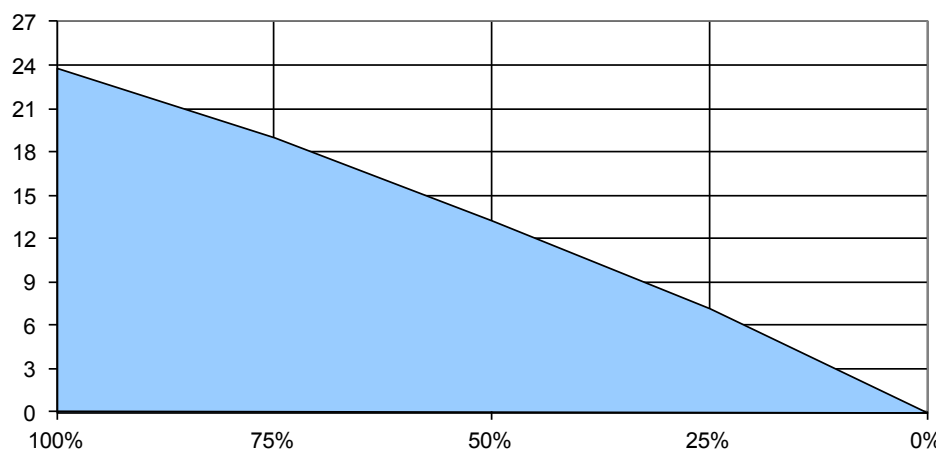
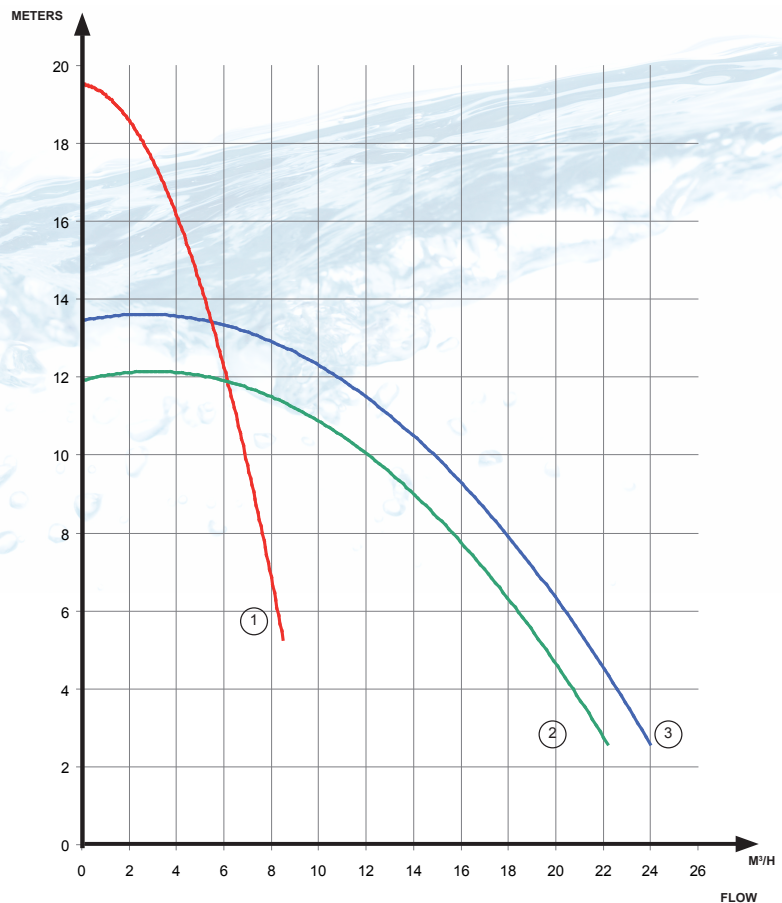
Type K :

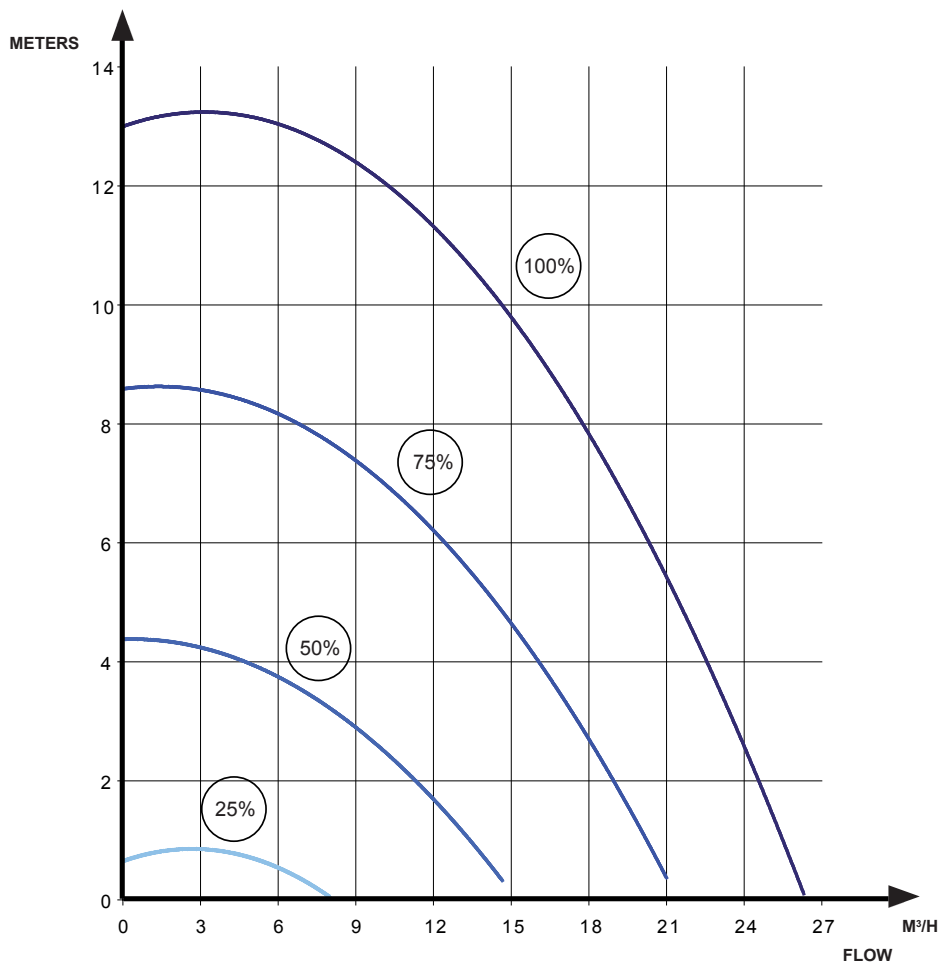
Ø Ext. G1"1/2 male - Ø Int. 32

Ø Ext. G2" male - Ø Int. 40

Ø Ext. G2"1/4 male

Single Phase Type	Electric Power (W)	Max Flow (M <sup>3</sup> /hr)	Hmin (m)	Curves
PVF 250 H4B	900	8.5	5	1
PVF 270 L/K4B	1100	21.8	3	2
PVF 299 L/K1B	1200	23.8	3	3





### Options

230 V / 50 Hz  
220 V / 60 Hz  
110 V / 60 Hz

Pneumatic switch (CP)

Electric cable (EC)  
0.5 / 1 / 1.5 / 2 / 2.5m

1 function electronic card for electronic keypad  
+ water level sensor (1F-EL)

1 function electronic card for pneumatic controller  
+ water level sensor (1F-CP)

### General

These pumps comply with the standards and directives in force

Conform to standards  
EN 60 335 - 1  
EN 60 335 - 2 - 41  
CE

According to the CE regulation

Validated and qualified by the organization TÜV

	Types	Ref.	Illustrations
Tee Pump Fittings	Tee pump Ø 33.7 (thread 2") Tee pump Ø 32 (thread 2"1/4) Tee pump Ø 25 grooved	1112330007 1112320007 1112250007	
	Tee pump «Y» Ø 25	0313630001	
Pump Union Fittings	Pump union Ø 48 (thread ASA) Pump union Ø 50 (thread ASA) Pump union Ø 50 (thread 2"1/4) Pump union Ø 40 (thread 2")	1112000008 1112230048 1112230018 1112230028	
	Pump union elbow 90° Ø 50 (thread 2"1/4) <i>ASA on demand</i>	1112590027	
	Pump union elbow 45° Ø 50 <i>ASA on demand</i>	1112541007	
	Leg for jet pump	Silent block (x4) Silent Block Ø 20 / H 20 Silent Block Ø 20 / H 30	2417041018 2417000018 2417300018



# Pump XP2e

The spa pump

## Applications

Pump for spas

## Technical features

Pump body in polypropylene

Available in single or two speed

Continuous duty

230V - 50Hz

IPX5 protection

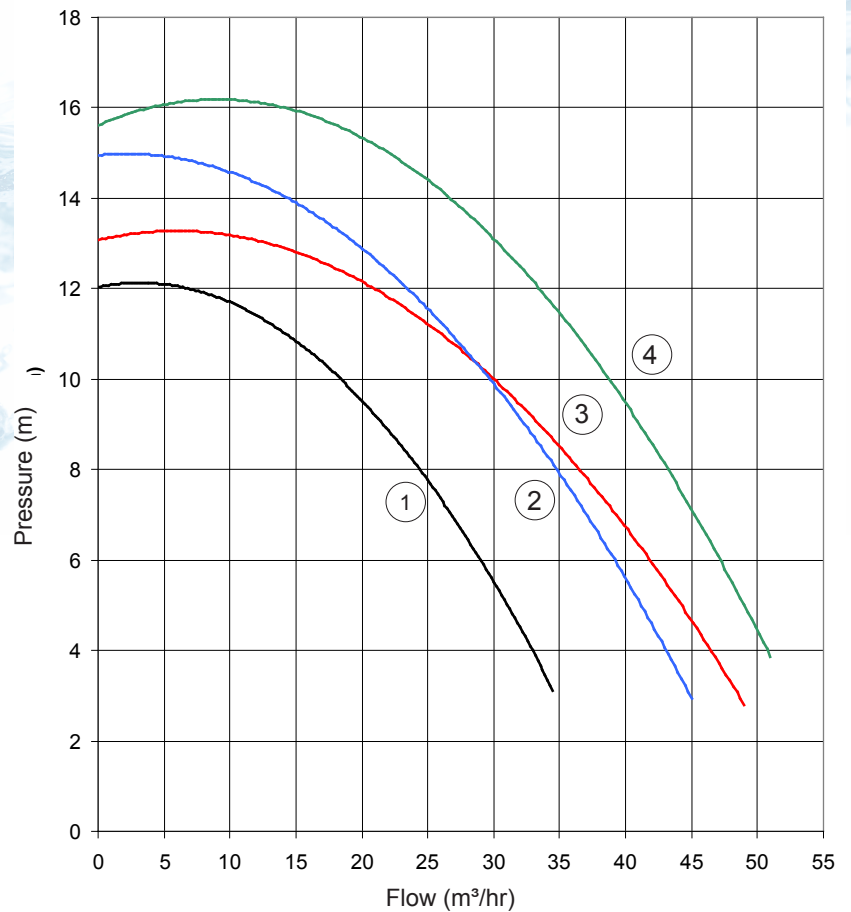
Class F insulation

Pumps delivered with gasket, union fittings and nuts for input and output, with union fittings Ø60mm.

Inlet :

Outlet :

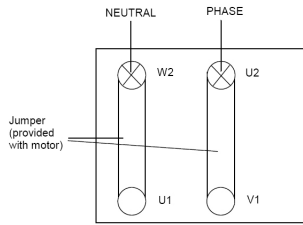
Curves	Single speed type	P1 Watt	Watt	A
1	XP2e 1.5HP	1200	900	5.8
2	XP2e 2HP	1600	1200	7.4
3	XP2e 2.5HP	2000	1500	9.5
4	XP2e 3HP	2500	1900	11.8



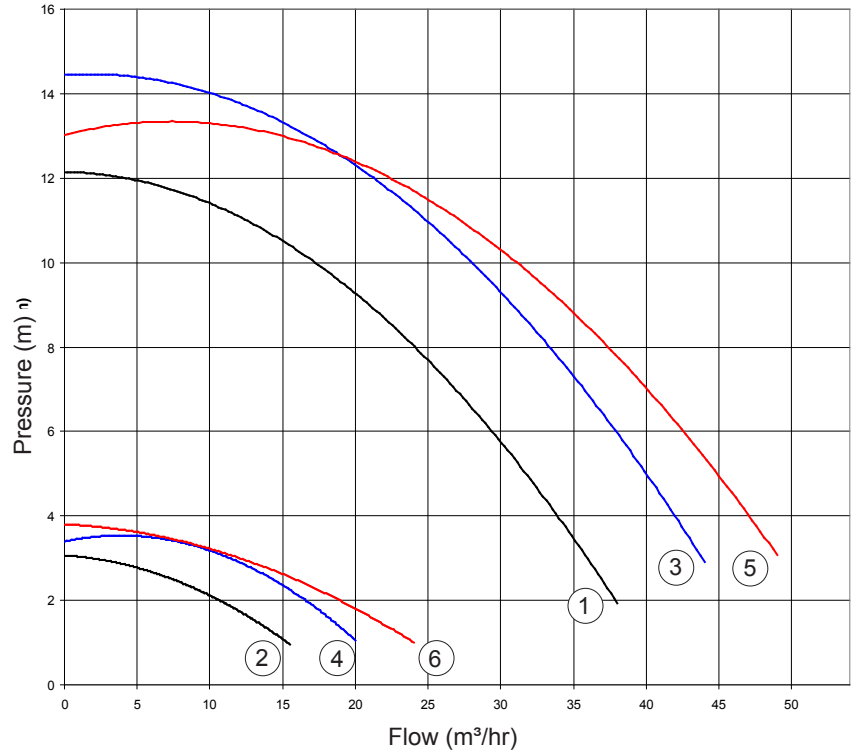
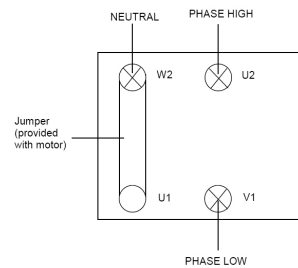
H [m]	14	12	10	8	6	4
(m³/h)	*	6	18.5	25	29	33
	14	25	30	34	39	43
	*	22	31	37	42	46.5
	27	35	38.5	43	47	51

Curves	Two speed type	P1 Watt	Watt	A	H [m] (m <sup>3</sup> /h)	12	10	8	6	4	3	2	1
1	XP2e 1.5HP GV	1200	900	5.8		6	17	24	30	33	36	*	*
2	XP2e 1.5HP PV	320	160	1.4		*	*	*	*	*	4	10	15.5
3	XP2e 2HP GV	1600	1200	8		22	28	34	38	42	44	*	*
4	XP2e 2HP PV	400	190	1.8		*	*	*	*	*	11	17	20
5	XP2e 2.5HP GV	2200	1650	10		22	32	37	43	47	49	*	*
6	XP2e 2.5HP PV	440	220	1.9		*	*	*	*	*	12	19	24

Connection single speed



Connection two speed



### Options

Electric cable and connector on demand

Union fitting  $\varnothing 63\text{mm}$  available on demande

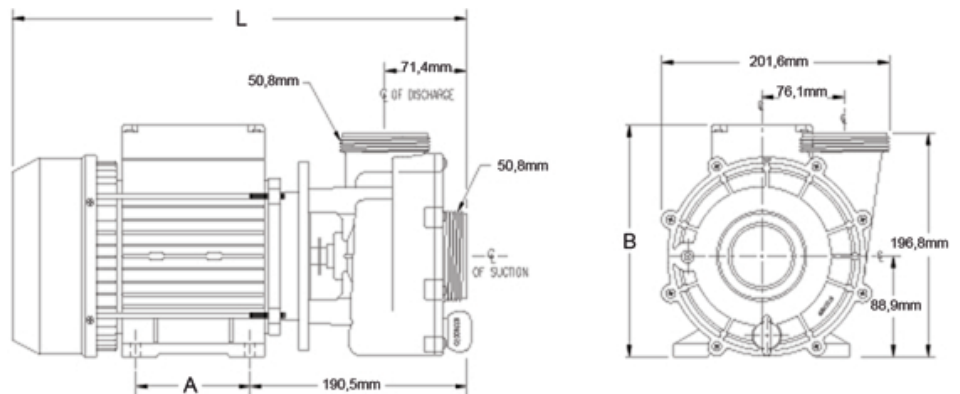
### General

These pumps comply with the standards and directives in force

Conform to standards

EN 60 335 - 1  
EN 60 335 - 2 - 41  
CE

	L (mm)	A (mm)	B (mm)	Weight (kg)
XP2e 1.5HP	375	100	231	12.5
XP2e 1.5HP - 2 speed	375	100	231	12.9
XP2e 2HP	375	100	231	14.2
XP2e 2HP - 2 speed	395	100	231	16.8
XP2e 2.5HP	395	100	231	16.8
XP2e 2.5HP - 2 speed	415	125	245	18.6
XP2e 3HP	415	125	245	19



# Pump PC

The economical pump



## Applications

Pump specially designed for economical whirlpool system

## Technical features

230V - 50 Hz  
Motor : 580 W  
Up to 17 m<sup>3</sup>/h

Delivered with :  
Pneumatic switch (CP)  
Tee pump fittings Ø32 or Ø25  
Pump union fittings Ø Int. 50.3mm  
Electrical cable 1m

### Inlet (threaded) :

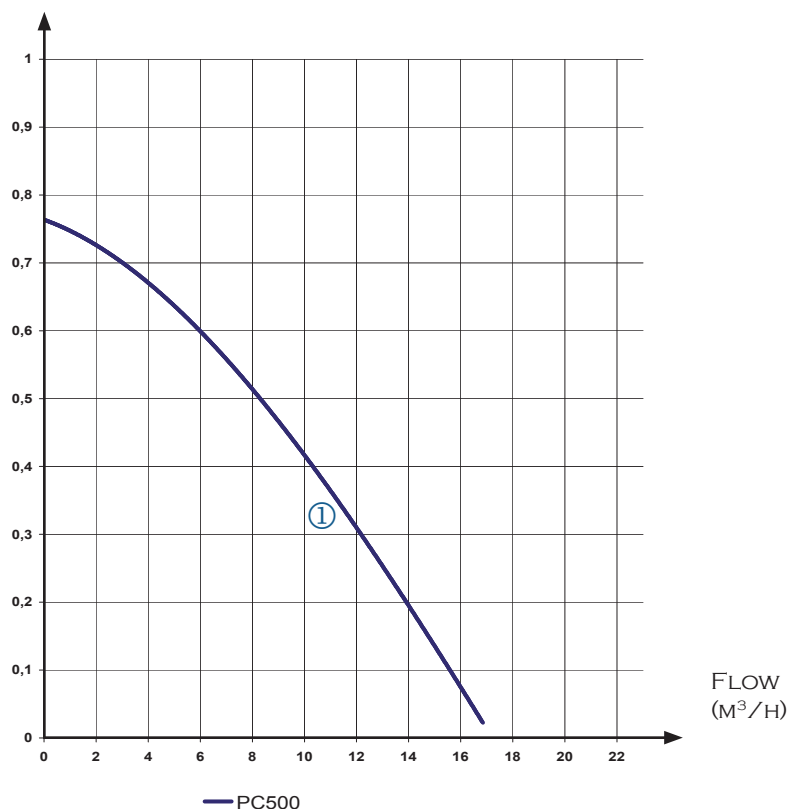
Ø Ext. G2»1/4 male - Ø Int. 50,5 mm

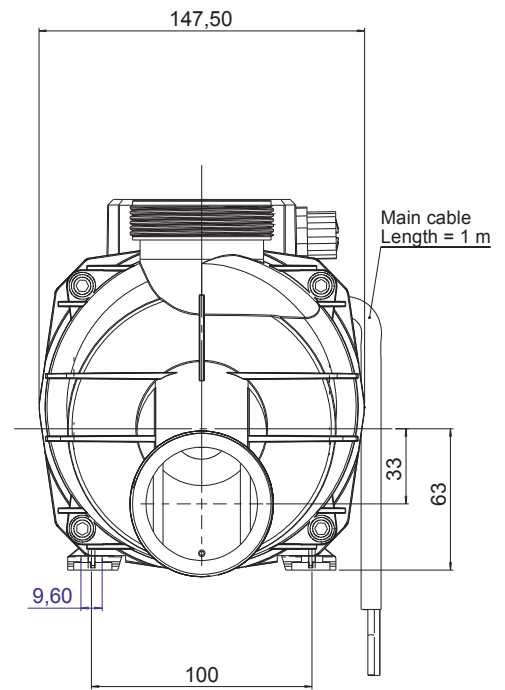
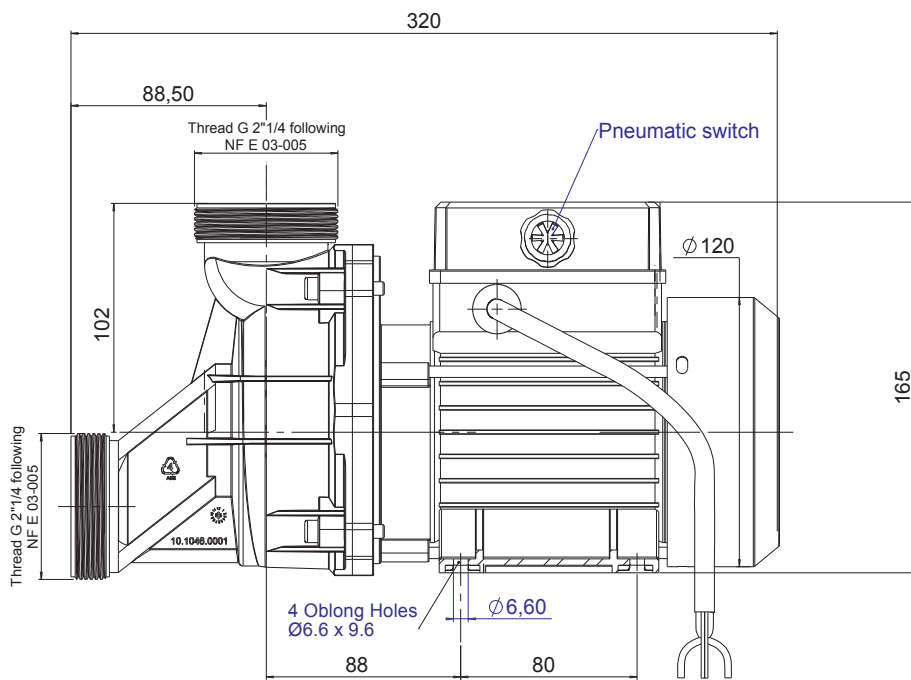
### Outlet :

Ø Ext. G2»1/4 male - Ø Int. 50,5 mm

Single Phase Type	Electric Power (W)	L (mm)	Weight (Kg)
PC 500	580	320	5.0

PRESSURE  
(BAR)





## Options

Silent block kit (4legs)  
12 month warranty

## Minimum ordering by 100 units

## General

These pumps comply with the standards and directives in force

Conform to standards :  
EN 60 335-1  
EN 60 335-2-41

According to the CE regulation

Validated and qualified by the organization TÜV

	Types	Ref.	Illustrations
Tee Pump Fittings	Tee pump Ø 33.7 (thread 2") Tee pump Ø 32 (thread 2" 1/4) Tee pump Ø 25 grooved	1112330007 1112320007 1112250007	
	Tee pump «Y» Ø 25	0313630001	
Pump Union Fittings	Pump union Ø 48 (thread ASA) Pump union Ø 50 (thread ASA) Pump union Ø 50 (thread 2" 1/4) Pump union Ø 40 (thread 2")	1112000008 1112230048 1112230018 1112230028	
	Pump union elbow 90° Ø 50 (thread 2" 1/4) <i>ASA on demand</i>	1112590007	
	Pump union elbow 45° Ø 50 <i>ASA on demand</i>	1112540007	
	Leg for jet pump	Silent block (x4) Silent Block Ø 20 / H 20 Silent Block Ø 20 / H 30	2417041018 2417000018 2417300018

# Drain pump

## The waterproof pump



Model	Electric Power (W)	Current (A)	Max Flow (M <sup>3</sup> /hr)	Hmin (m)	Weight (kg)
STP -1212 - 6E	90	0,8	6,5	1	1,72

### Applications

Applicable in drainage of bathtub, sauna, swimming pool and spa, especially the baby tub and tub for old

Applicable in drainage of foot tub and massage chair

Applicable in drainage or spray of hot spring, spa and landscape

### The characteristic and Safety guard

Completely separating electricity from water, ensuring the safety of human

Synchronous motor equipped with permanent magnetism system, efficient, energy saving and eco-friendly

Equipped with double-sheet-metal automatic reset thermal protection system, ensuring the safety

Epoxy resin as embedment, with safety guaranteed

Cold water circulation makes motor run in a constant temperature, prolonging its lifespan.

Good designation makes noise below <50dB

The moving part using high strength wear-resistant materials, operating life of work more than 8000h

High resilience. Diameter and direction of water inlet and outlet can be adjusted upon user's requirements

Reasonable designation makes product high energy efficiency ratio, high lift, large flow, low power consumption

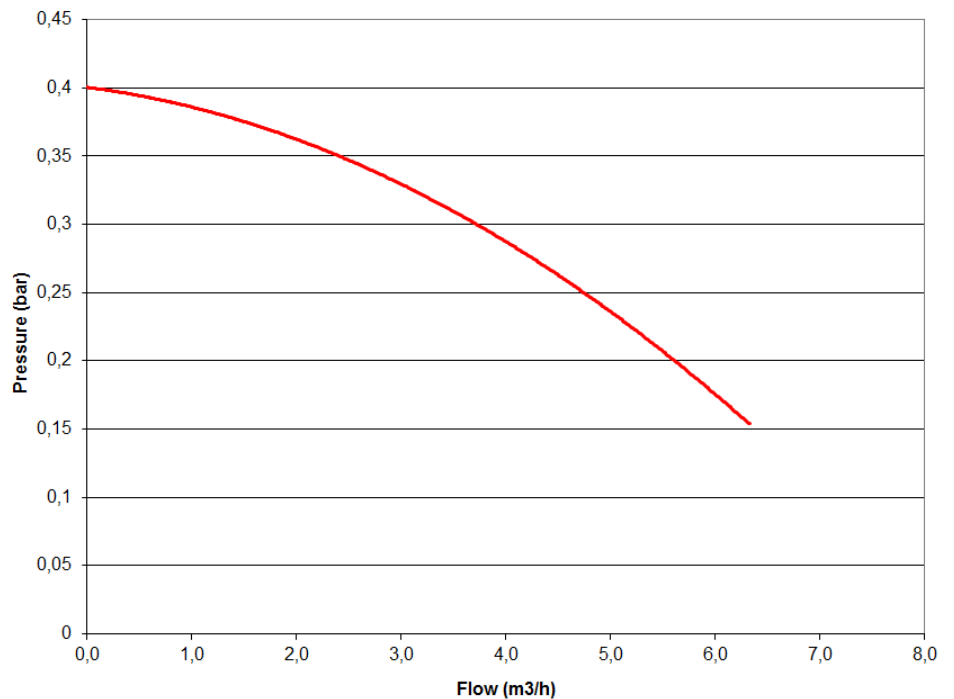
Qualified the certification of CE, TUV, GS, RoHS

Flaming retardant of the electric part : Level UL94 V-0

Insulation class : level F

Waterproof : IPX7

### Performances



### Technical parameters

Input Voltage : 220V-240V/50Hz or 110V-127V/60Hz

Lift : 6.0 m

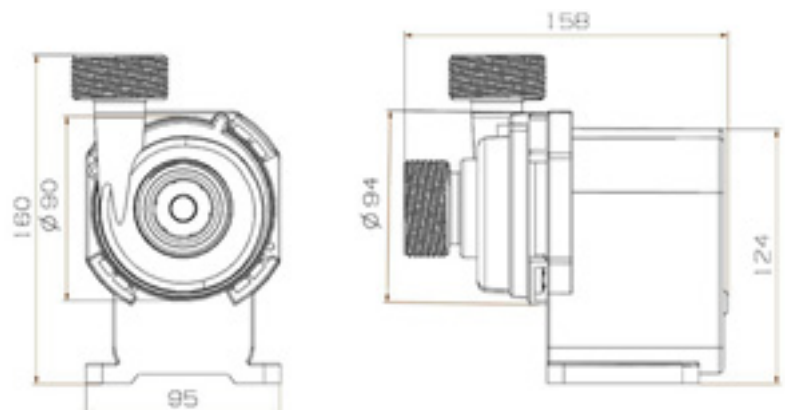
Flow : 110 L/min

Outlet of the screw diameter : 47.4 mm

Temperature : <50°C

Temperature of water in transportation 5-70°C

Storage temperature : Room temperature - 85°C, Humidity : 5-95%








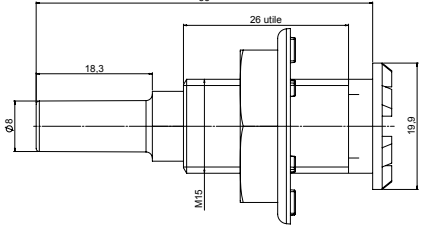


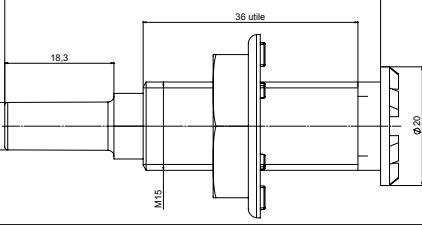


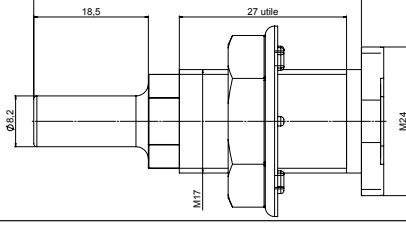


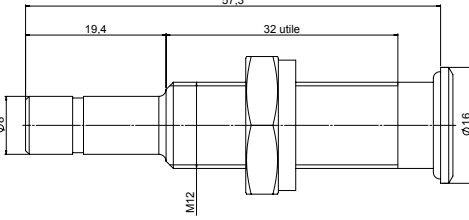
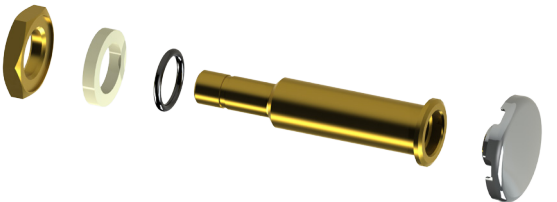
# THE AIR JETS









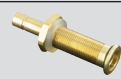


# Air jet

When massage becomes caress



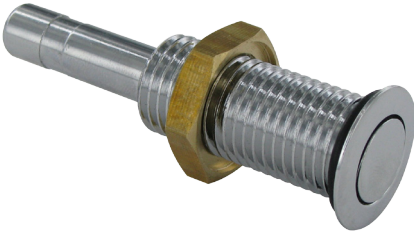
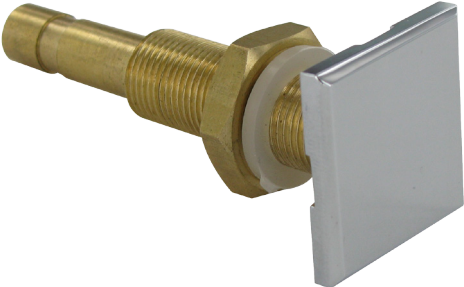

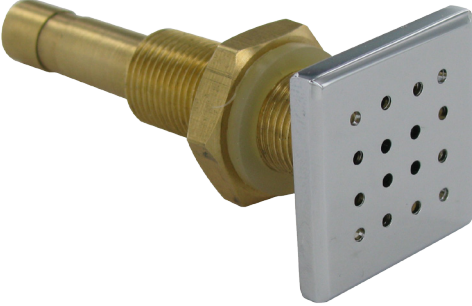

Ref	Bodies	Drawings	Technical Features
0621151000	 Short version Ø15		
0621151001	 Long version Ø15		
3421000017	 Version Ø17		
0623120001	 Brass		

	FACES LATERAL	FACES 1 HOLE	FACES 3 HOLES	FACES 4 HOLES	FACES 7 HOLES
	 4121151003	 4121151013	 4121151033	 4121151043	 4121151073 - Ø15 4121171003 - Ø17
 0621151000	0621151003	0621151013	0621151033	0621151043	0621151073
 0621151001	0621151003-1	0621151013-1	0621151033-1	0621151043-1	0621151073-1
 3421000017	/	/	/	/	0621171003
 0623120001	0623000023	0623000033	/	/	/

# Air jet

Our new products

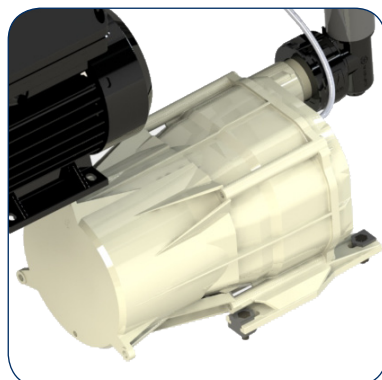
- Brass made of
- Flat version :
  - Drilling diameter 13,6 mm
  - Face 19 mm
  - Thickness 1,5 mm
- Square version :
  - Drilling diameter 11,6 mm
  - Face 26mm
  - Thickness 3,5mm

FLAT VERSION	SQUARE VERSION
 <p data-bbox="197 1084 815 1122">Flat version lateral discharge - 0623000053</p>	 <p data-bbox="932 1234 1442 1308">Square version - lateral discharge - 0623000103</p>
 <p data-bbox="272 1458 743 1496">Flat version 1 hole - 0623000043</p>	 <p data-bbox="906 1839 1477 1877">Square version - 16 holes - 0623000113</p>
 <p data-bbox="264 1839 751 1877">Flat version 7 holes - 0623000063</p>	

	Types	Ref.	Illustrations
<b>EASY CONNECTORS Ø8</b>	Straight quick connector Ø8	1122081008	
	Elbow quick connector Ø8	1122001018	
	Tee quick connector Ø8	1122001098	
	«Y» quick connector Ø8	1122380018	
<b>DISTRIBUTORS Ø32</b>	Air distributor 12 exits	1022120008	
	Air distributor 32 exits	1022320008	
	Air distributor 6 exits*	1021060002	
<b>NON RETURN VALVE Ø32</b>	PVC non return valve Ø32	4027320021	
<b>SAFETY LOOP Ø32</b>	Rigid safety loop Ø32 long version	4027320007	
	Rigid safety loop Ø32 short version	4027320017	
<b>METAL CABLE STRAP</b>	Metal clamp for air pipe Ø42.5	1227420008	
<b>AIR PIPE</b>	Air pipe Ø8	0822080002	
	Air pipe Ø32 with rubber fittings <sup>1</sup> (ref - length in mm)	0827340007-1	
	Straight rubber fitting for air pipe Ø32	1127340007	
	Elbow rubber fitting for air pipe Ø32	1127340017	
	Air pipe Ø32 without rubber fittings	0827340007	

\* : possibility to fit together several distributors (without glue)

# THE BLOWERS





Low noise version

# Blowers

The power of technology in silence

## Applications

Specially designed for air or mixed whirlpool systems

## Technical Features

The less noisy : <69.5dBa to 80 mBar  
 High powerful - High flow :  
 Blower A-500 : 36 m³/h to 80 mBar  
 Blower A-700 : 54 m³/h to 80 mBar  
 Blower A-900 : 85 m³/h to 80 mBar

4 silent blocks included («neoprene»)

Protection class II

Grooved or to be stuck outlet fittings

IP X5 in horizontal position

### Blower A-500

Motor : 500 W  
 Heating option : 300W  
 Total power with heater : 800W

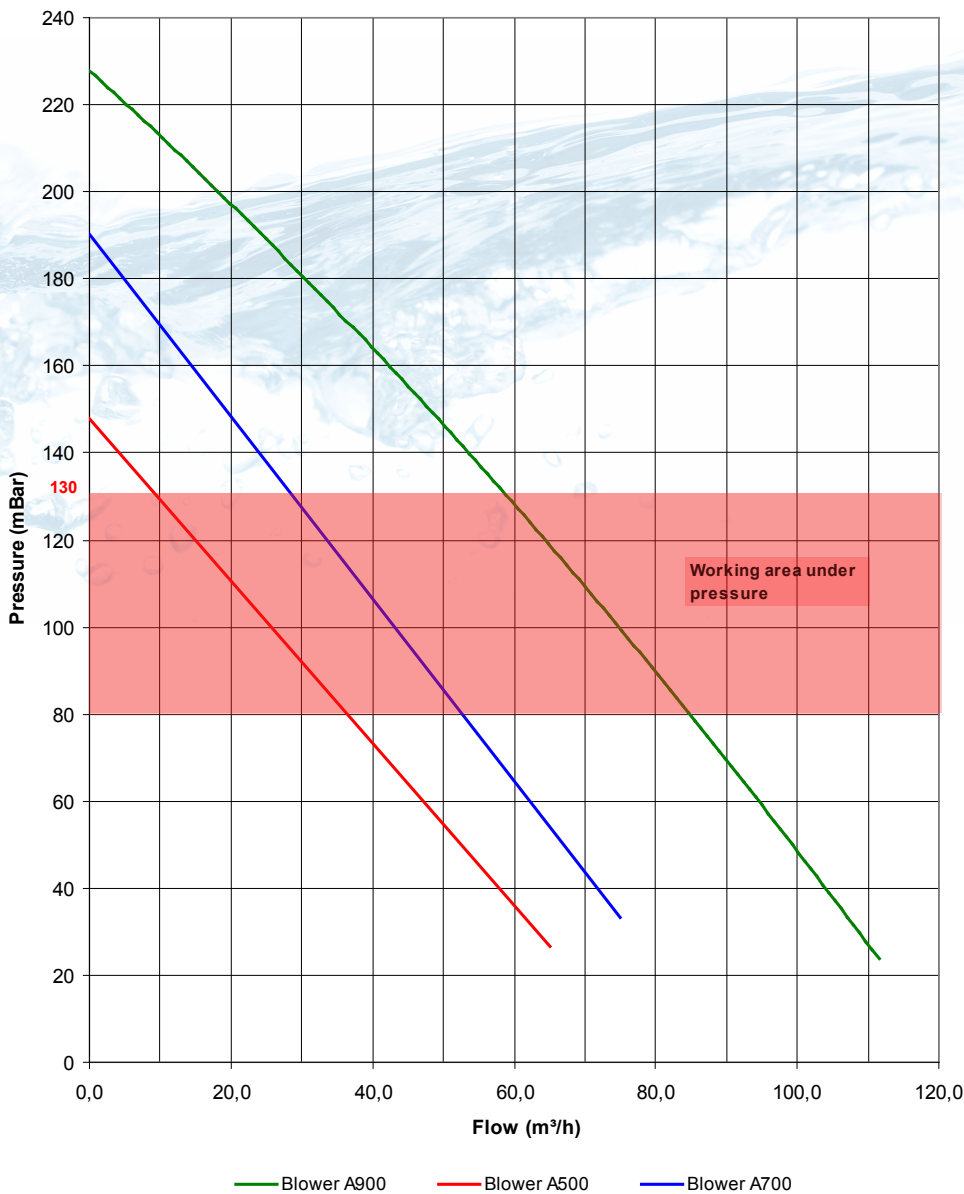
### Blower A-700

Motor : 700 W  
 Heating option : 300W  
 Total power with heater : 1000W

### Blower A-900

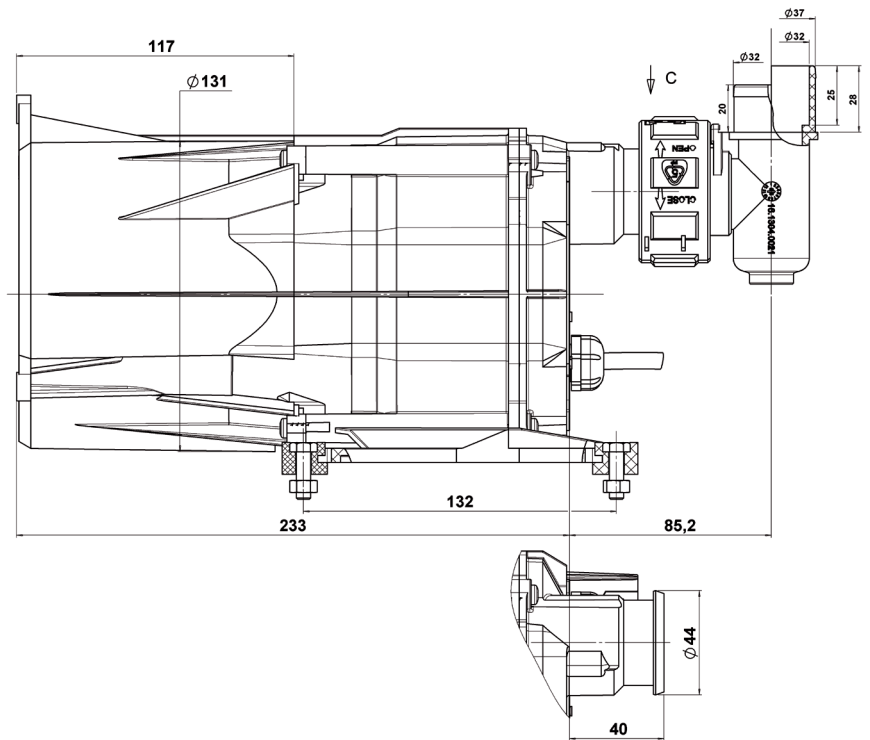
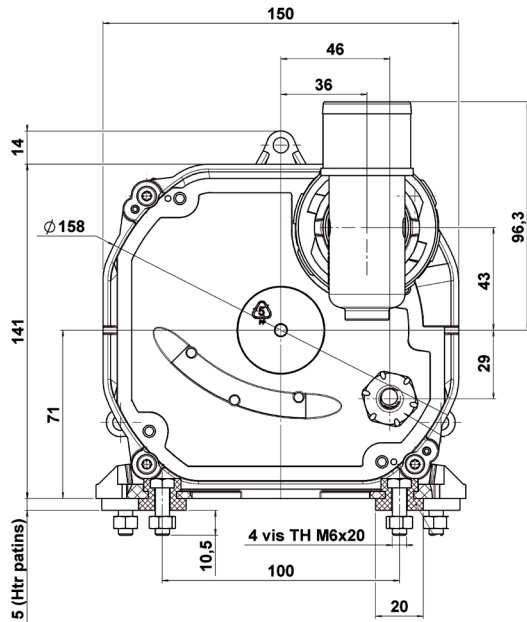
Motor : 900 W  
 Heating option : 300W  
 Total power with heater : 1200W

OPTIONS (possible to combine each option)	
HEATER «R»	- Electric power 300 watts - Overload temperature : 80°C +/- -5°C - Fuse thermal overload protection : 117°C +/- 5°C
OZONE LAMP «L» (printed circuit)	- Electric supply : 2,6 watts - Intensity : 12mA
PNEUMATIC SWITCH «SA»	- Start pressure : 80mBar +/- 3 mBar - Stop pressure : 110mBar +/- 3mBar



TUV CERTIFICATE

	Ref. Blower (black)	Ref. Blower low noise (white)
<b>Blower A-500</b>	0050000500	0051000500
<b>Blower A-700</b>	0070000500	0071000500
<b>Blower A-900</b>	0090100500	0091100500



## Options

220 V / 50 Hz  
220 V / 60 Hz  
110 V / 60 Hz

Variable speed :  
130 V to 230 V (MV)

Pneumatic switch (CP)

Electric cable  
0,5 / 1 / 1,5 / 2 / 2,5 m

1 function electric card for electric control  
+ water level sensor (1F-EL)

1 function electric card for pneumatic  
control + water level sensor (1F-CP)

## General

These blowers comply with the  
standards and directives in force

Conform to standards :  
EN 60 335-1  
EN 60 335-2-41

According to the CE regulation

Validated and qualified by the  
organization TÜV

ACCESSORIES	Descriptions	Ref	Illustrations
TEE	Tee Ø32 + nut + o'ring	1113042021	
	Tee Ø37 + nut + o'ring	1113042011	
PIPE	Air pipe Ø32 with rubber fittings <sup>1</sup> (ref - length in mm)	0827340007-1	
	Air pipe Ø32 without rubber fittings	0827340007	
	Straight rubber fitting for air pipe Ø32	1127340007	
	Elbow rubber fitting for air pipe Ø32	1127340017	
SILENT BLOCK	Silent block	2413030001	
	Silent block Ø20 - H20 threaded M6	2417000009	
	Pack of 4 silent block	2417041018	

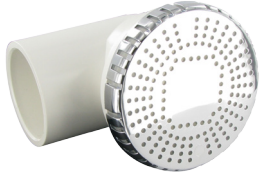






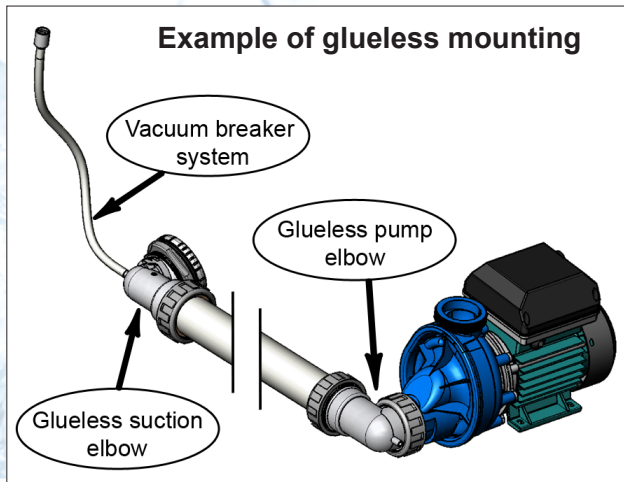
# Suction, Air controls, Pneumatic controllers, Disinfection, Aromatherapy, Pillows and Handles



# Suction

## Standard suction & glueless suction

Description	With standard faces Ø86	With premium faces Ø105	With brass faces Ø70
Standard Ø50	 0911511003 (clipped face version) 0911511003-2 (screwed face version)	 0911513003	 060913512013
Glueless and without retention Ø50	 0911611003 (clipped face version) 0911611003-2 (screwed face version)	 0911613003	/



### Standard suction

In option you can add :

- wallfitting O'Ring (no silicone)
- vacuum breaker system (safe)








### Glueless suction

Designed for glueless application








No water retention

In option you can add :






- wallfitting O'ring (no silicone)
- 90° glueless pump elbow Ø50-50 (no glue)
- vacuum breaker system (safe)

	Types	Ref.	Illustrations
FITTING	90° glueless pump elbow Ø50-50 (no glue)	111611001	
O'RING	Wallfitting O'ring (no silicone)	291760001	
VACUUM BREAKER SYSTEM	Vacuum breaker system 560 W	0927081011	
	Vacuum breaker system 900 W	0927081001	
	Vacuum breaker system 1150 W	0927081021	
	Clamp for vacuum breaker system	1227000008	
TOOL	Tool for standard suction	3012000028	

# Air Controls

Description	References	Illustrations	Features
<p>ALTA SILENT AIR CONTROL (+ / -) (ZAMAK)</p>	<p>Ø40 13.15.00.00.03-1 3/8 13.15.00.00.03 1/4</p>		
<p>MONACO SILENT AIR CONTROL (+ / -) (ZAMAK)</p>	<p>Ø40 13.15.00.00.23-1 3/8 13.15.00.00.23 1/4</p>		
<p>STANDARD SILENT AIR CONTROL (+ / -) (ABS)</p>	<p>Ø44 13.12.00.10.03-1 1/4</p>		<p><b>COMPLETE DRAINING :</b> 1/4 or 3/8 Turn adjustable ABS or ZAMAK Non Return Valve</p>
<p>FLOWER SILENT AIR CONTROL (+ / -) (ABS)</p>	<p>Ø44 13.12.00.10.13-1 1/4</p>		<p><b>SILENT AIR :</b> Air suction below Flap-top edge</p>
<p>MOD 3 SILENT AIR CONTROL (+ / -) (ABS)</p>	<p>Ø44 13.12.00.10.23 1/4</p>		<p><b>DIFFERENT COLOURS</b></p>
<p>MOD 4 SILENT AIR CONTROL (+ / -) (ABS)</p>	<p>Ø44 13.12.00.10.43 -1 1/4</p>		
<p>PREMIUM SILENT AIR CONTROL (+ / -) (ABS)</p>	<p>Ø44 13.12.00.10.33 1/4</p>		

# Pneumatic Controllers

Description	References	Illustrations	Features
ALTA PNEUMATIC CONTROLLER (ZAMAK)	Ø40  20.35.00.00.03-1		
MONACO PNEUMATIC CONTROLLER (ZAMAK)	Ø40  20.35.00.10.13-1		
STANDARD PNEUMATIC CONTROLLER (ABS)	Ø44  20.12.00.13.03-1		<p><b>COMPLETE DRAINING :</b> ABS or ZAMAK</p> <p><b>DIFFERENT COLOURS</b></p>
PREMIUM PNEUMATIC CONTROLLER (ABS)	Ø44  20.12.00.15.03		
EYE BALL PNEUMATIC CONTROLLER (ABS)	Ø44  20.12.00.14.03-1		

# Disinfection

ASD can provide you two types of complete disinfection set :

- solid (pills)
- liquid

You can also buy only spares as :

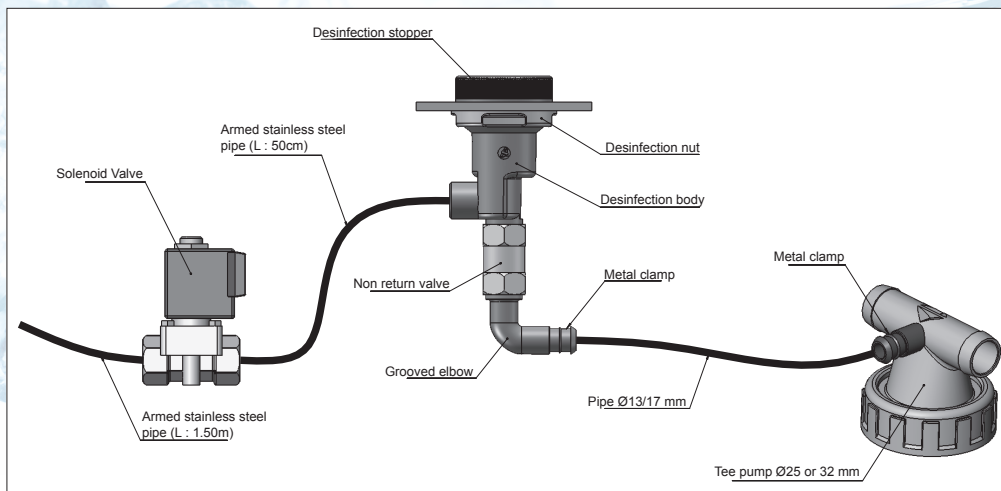
- Tank
- Pills container
- Solenoid valve (1/2" or 1/4")
- Non return valve (brass or plastic)
- Tee pump with inlet for disinfection connection
- All kind of connectors (elbow, straight, tee, smooth, grooved, threaded, ...)
- All kind of hoses (PVC, Armed, ...)

Both disinfection set can be controlled by electronic in two different ways :

- automatic disinfection
- manual disinfection (keypad)

For more information please contact us

## Exemple of complete solid disinfection system\* :



\*Reference without Tee :  
230V : 0767006013 C/C1

## Exemple of complete liquid disinfection system\* :



without vacuum breaker

with vacuum breaker

\*Reference without suction elbow, connector and vaccum breaker

- 230V : 0767154003
- 12V : 0767155003

# Aromatherapy

Enjoy your bath...  
 ...When your sense of smell is source of pleasure

- Easy to install
- Easy to use
- 6 fragrances
- 2 different connections possible
- With or without non return valve



Relaxing  
3377351003

Sensorial  
3377350010

Tonic  
3377351002

Calming  
3377351004

Respiratory  
3377350001

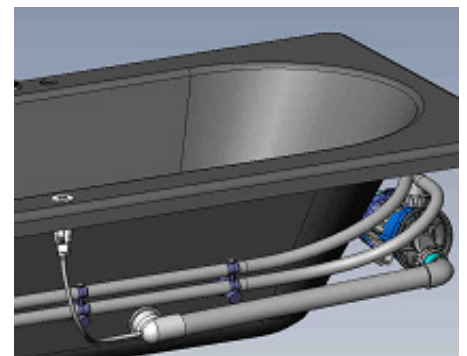
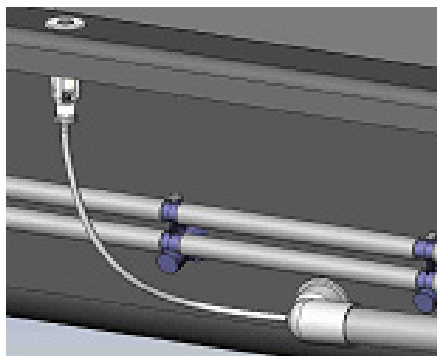
Refreshing  
3377350005

## Description

## Illustrations

Connection to the suction elbow :  
 the vacuum breaker valve is integrated in  
 the bottle support\*

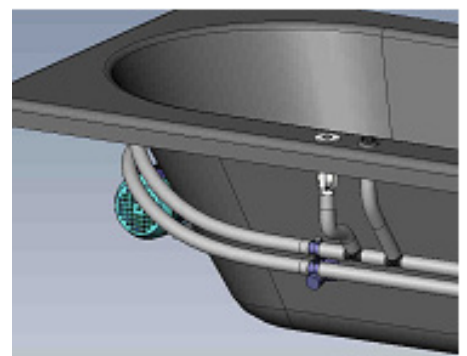
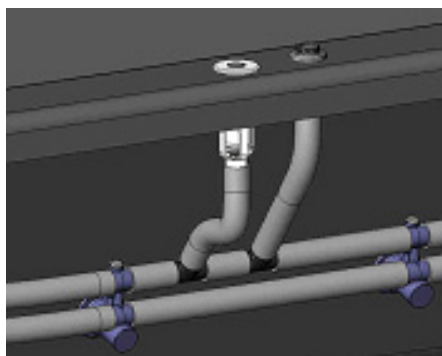
\*4387081003 (without bottle)



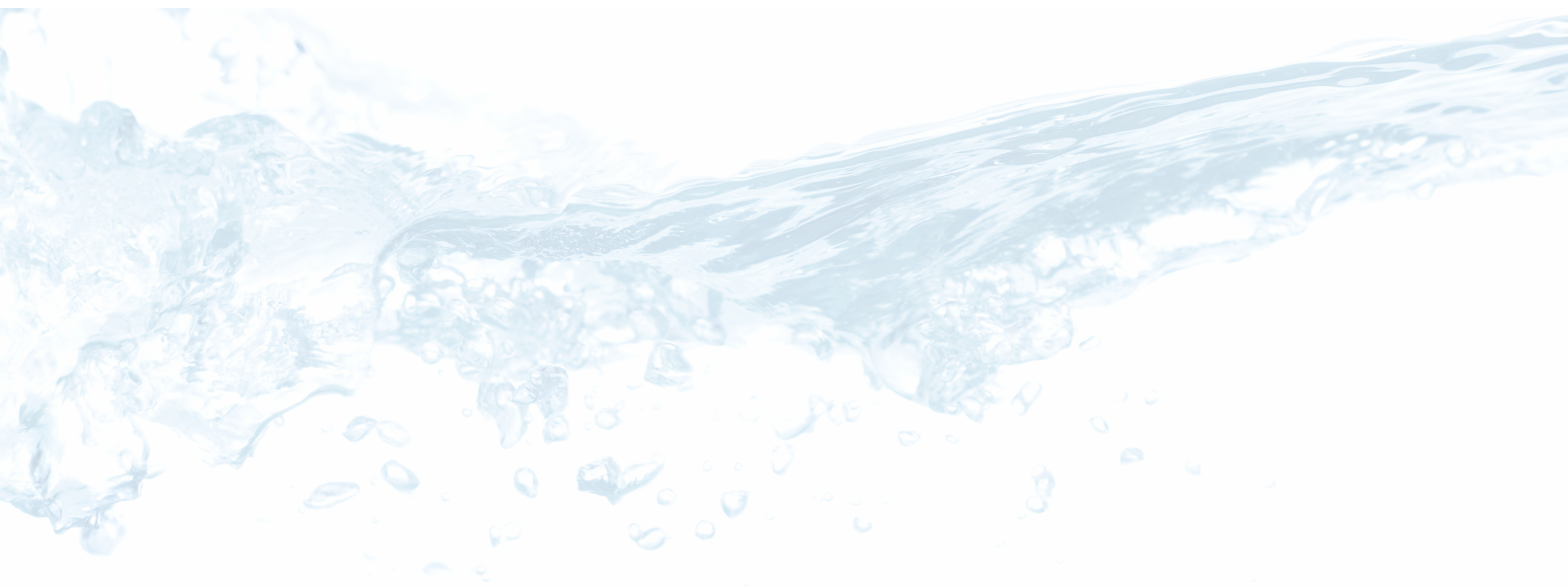
Connection to the air venturi system :  
 a non return valve can be integrated in the  
 bottle support\*

\*4387253003 (without bottle)

\*4387251003 (without bottle - with adaptation kit  
 for venturi system)







ASD - Chemin de Thil - 01700 St Maurice de Beynost - FRANCE  
Tel : + 33(0)4 72 25 40 27 / Fax : +33 (0)4 72 25 84 68  
[www.asd-whirlpool.fr](http://www.asd-whirlpool.fr) - [contact@asd-whirlpool.fr](mailto:contact@asd-whirlpool.fr)





